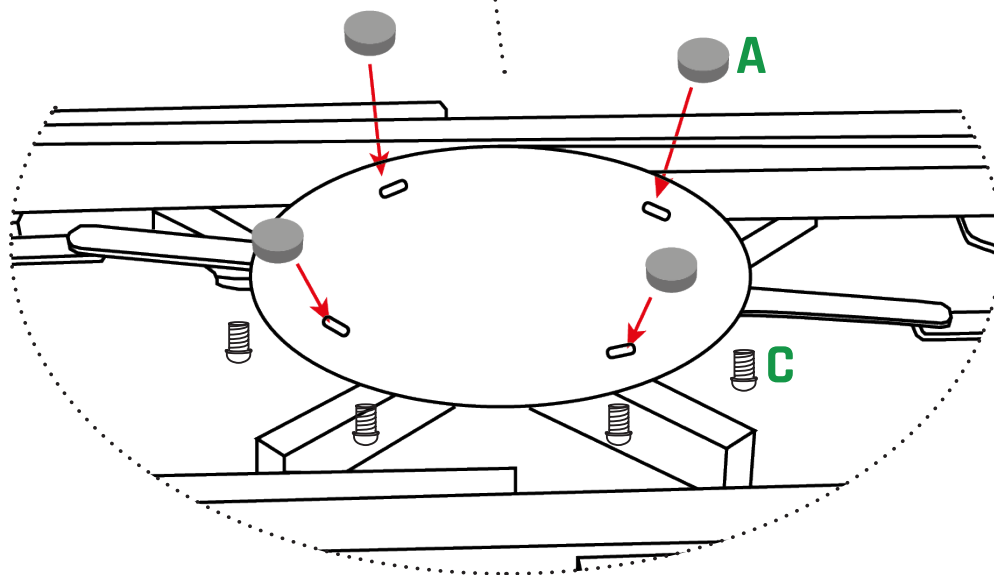
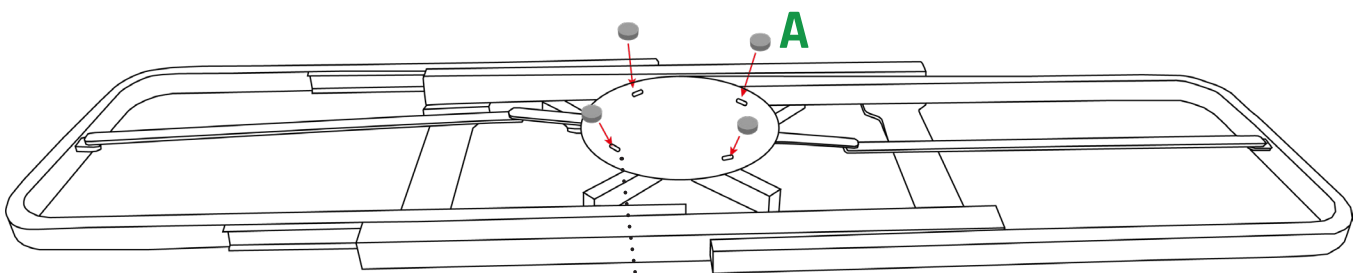
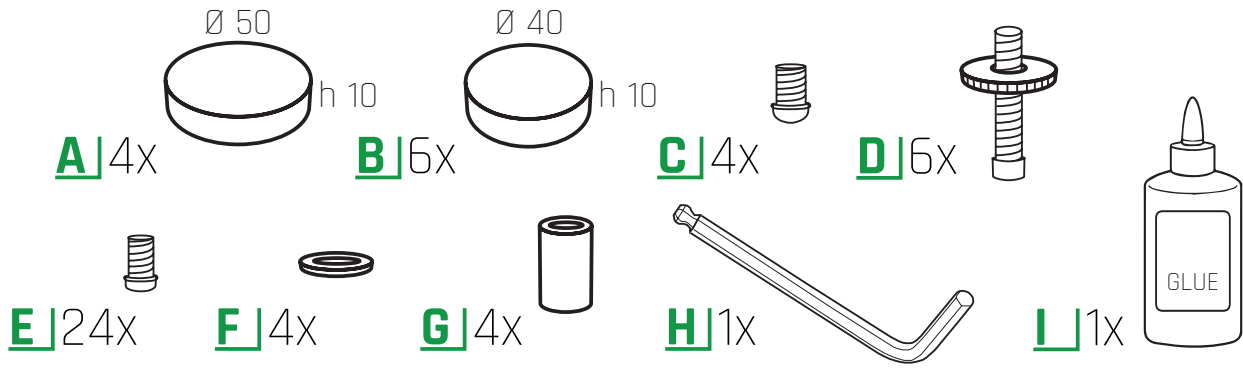


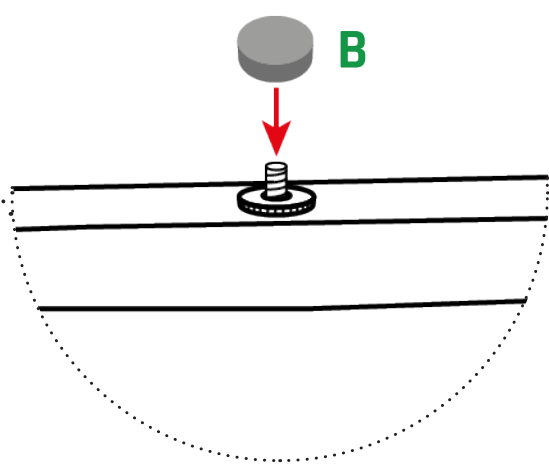
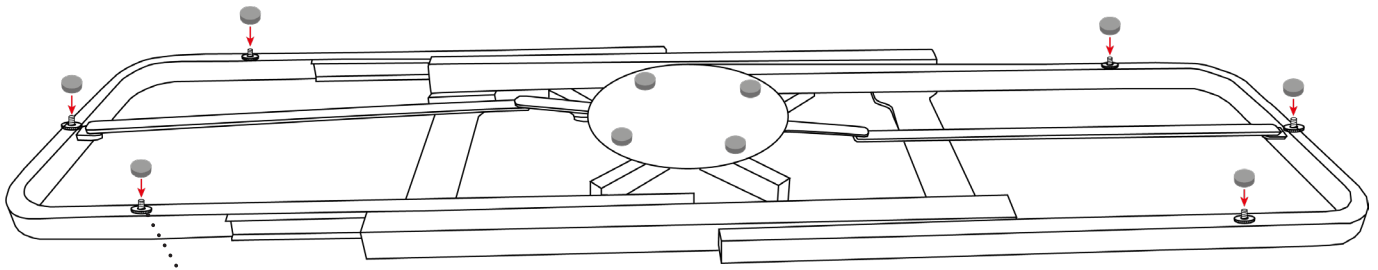
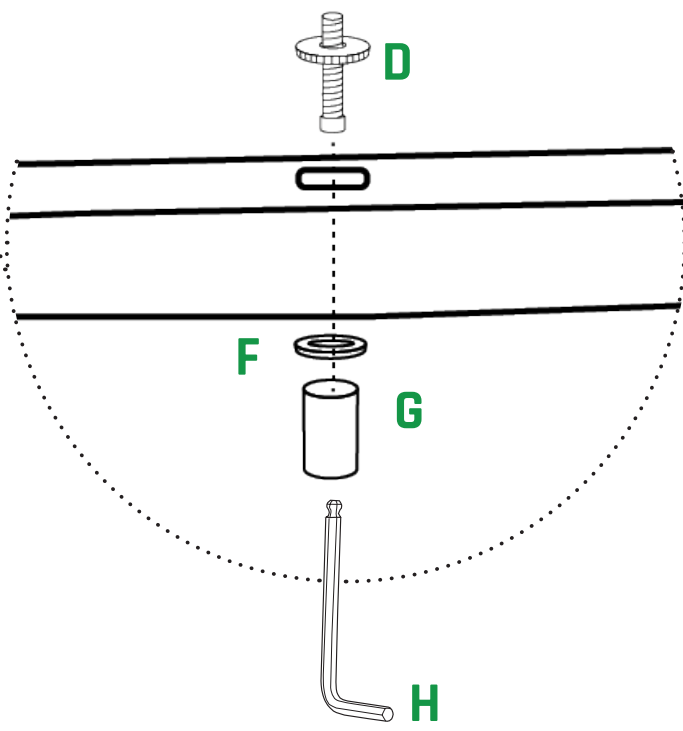
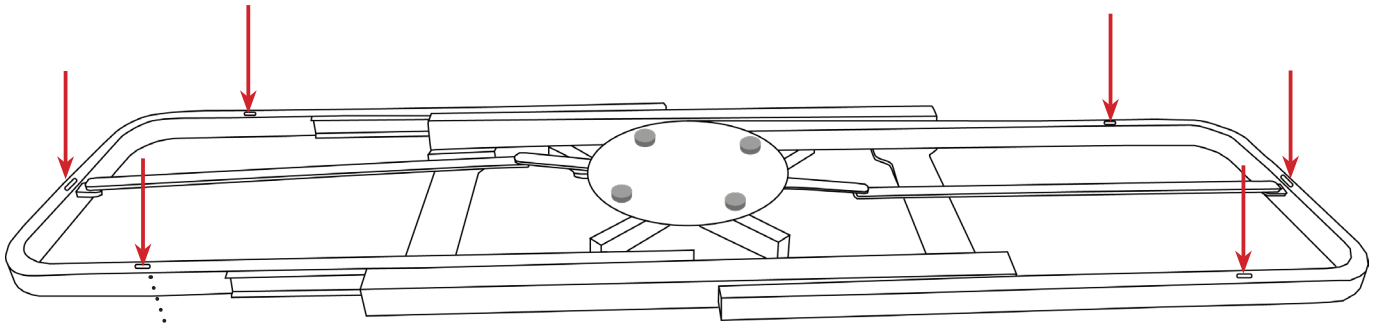
# RAM INDUSTRIE

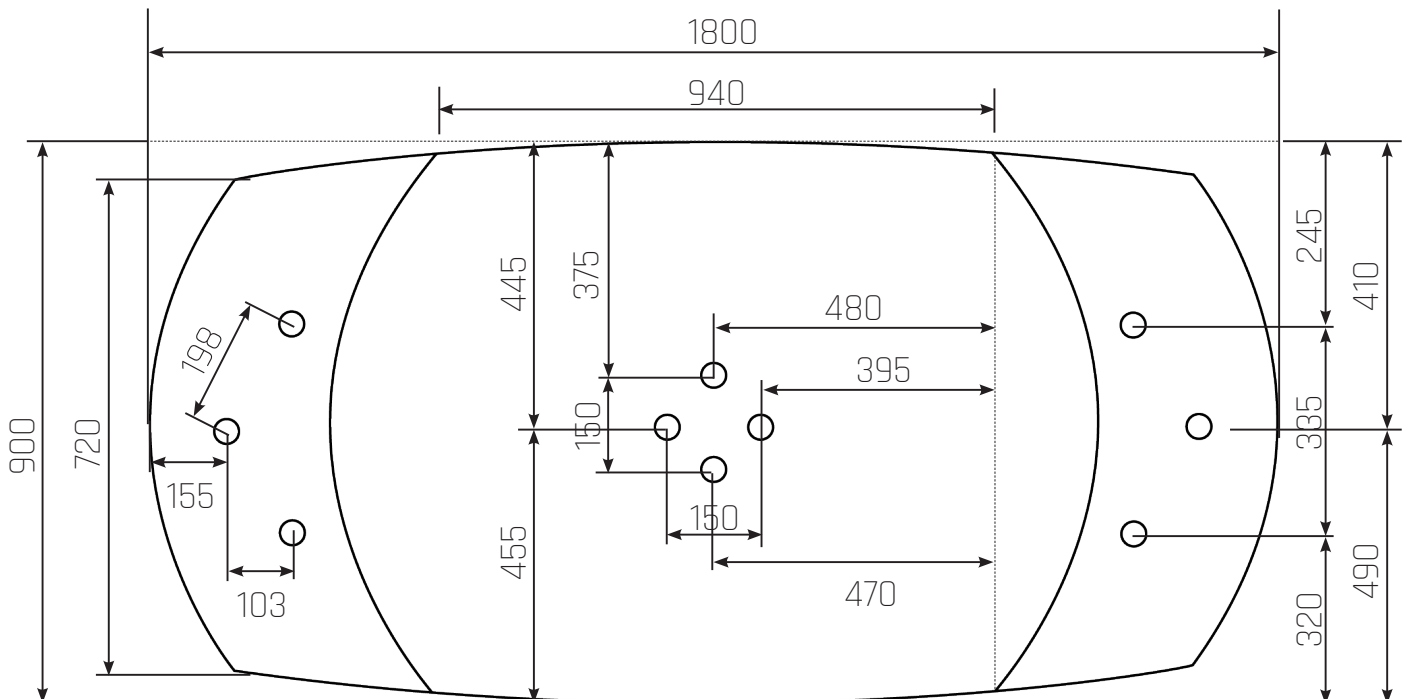
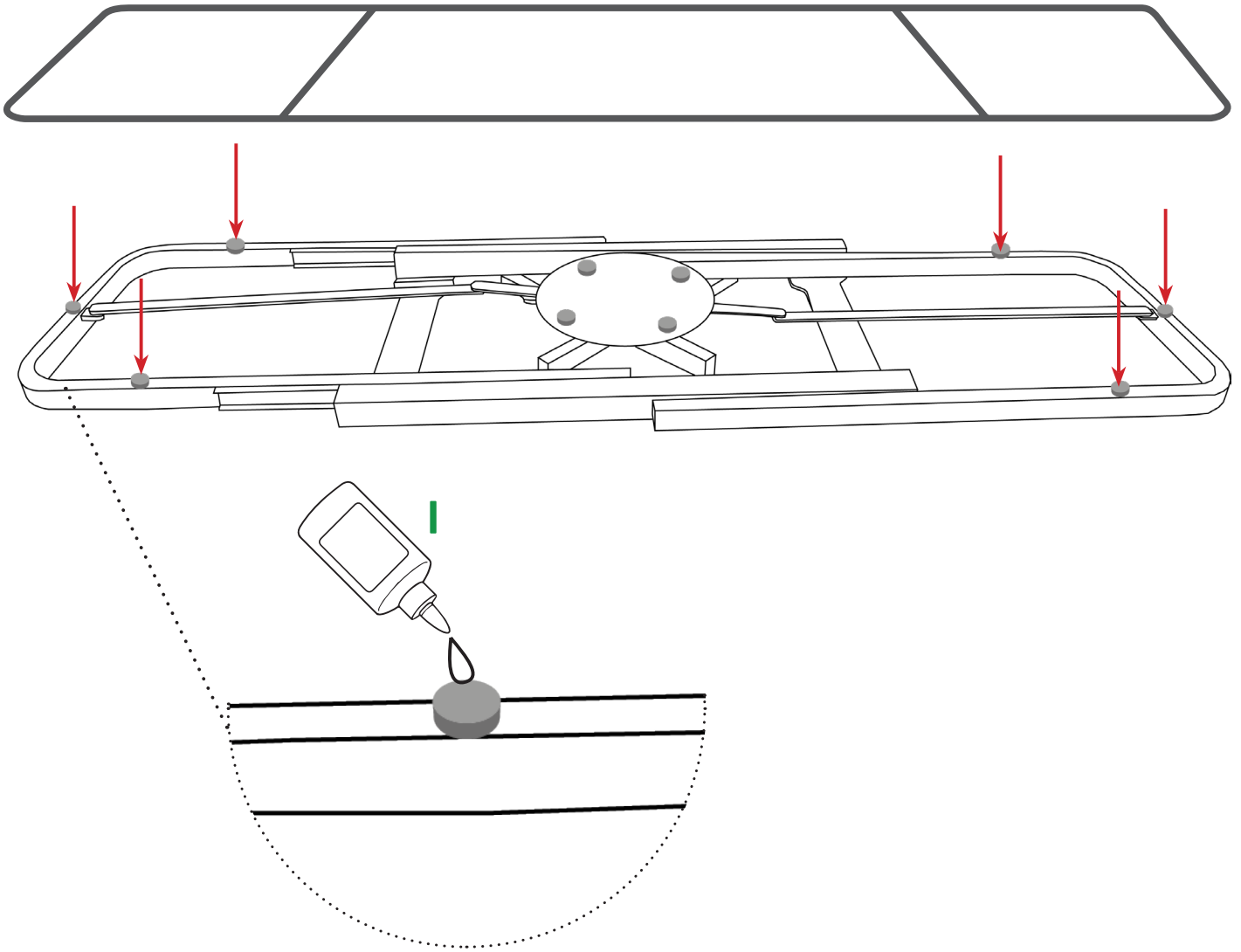
SCHEMA DI MONTAGGIO  
**Cod. N501200B**

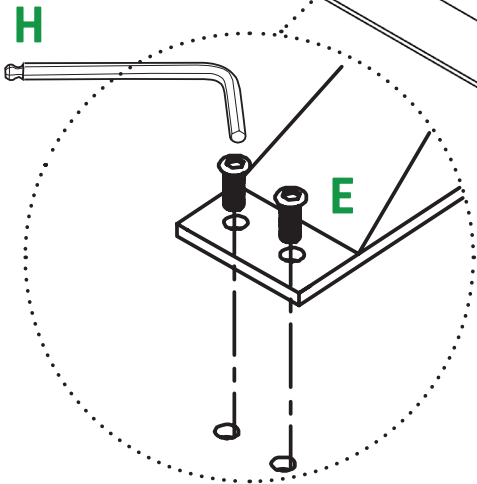
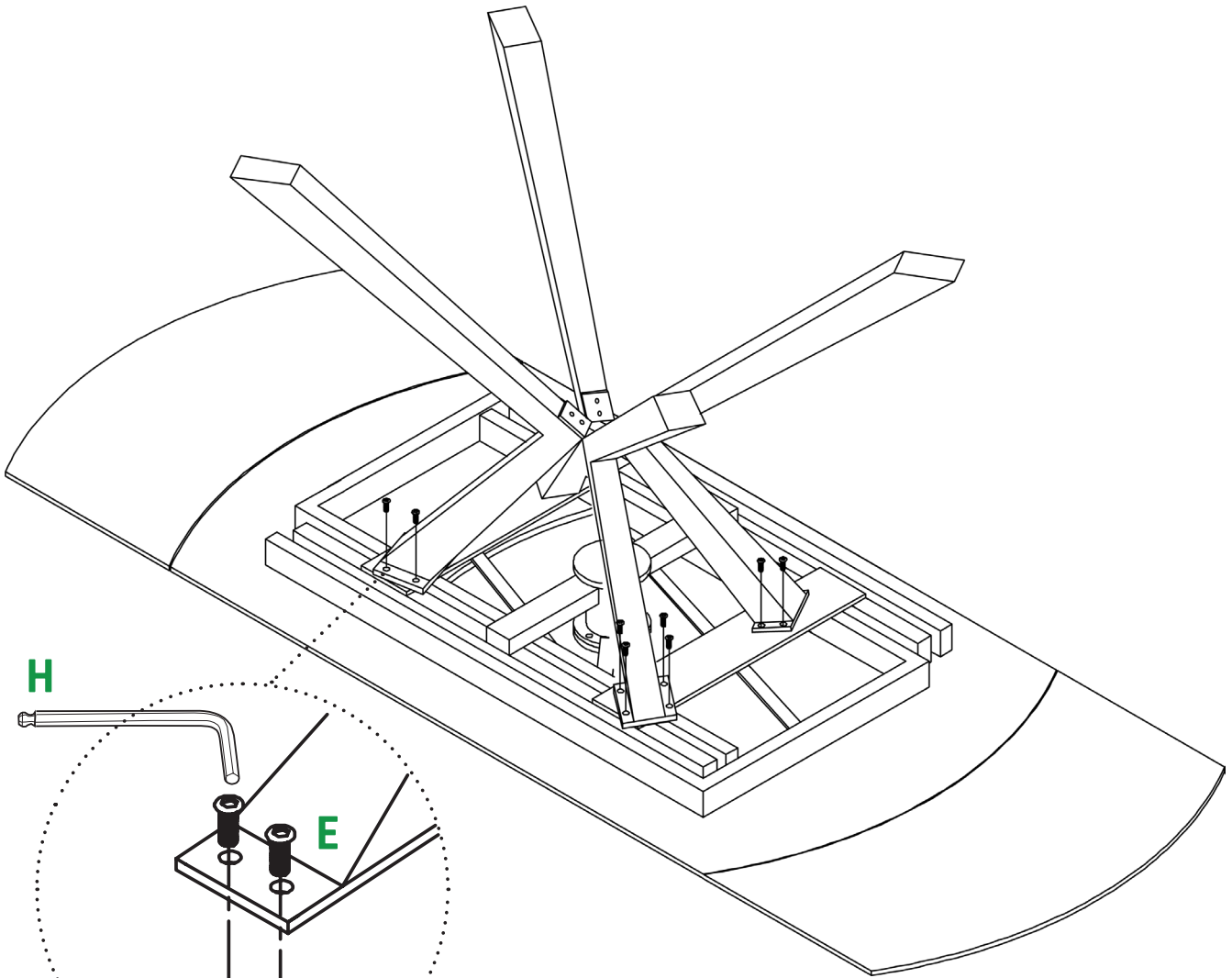
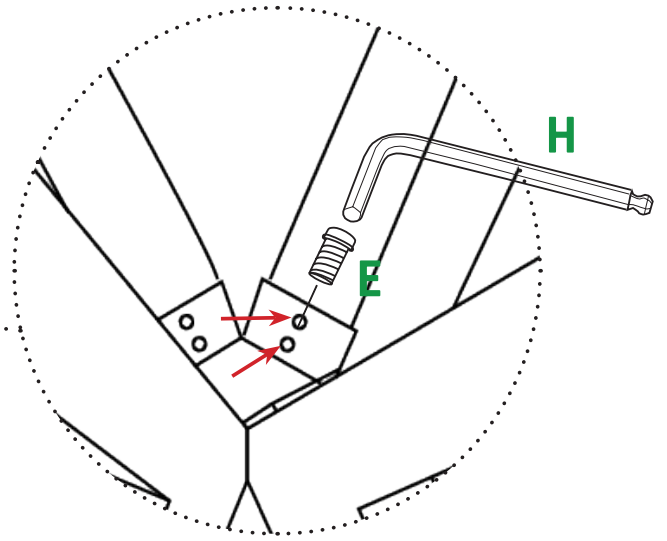
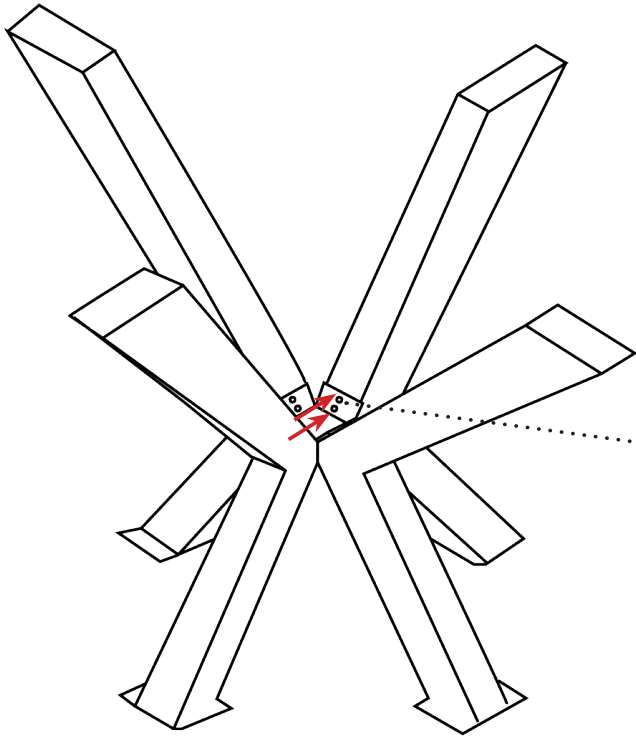
Cod. N501200B











---

Cod. N501200B

**RAM**  
INDUSTRIE



# RAM INDUSTRIE



---

+39 0293790167  
ramindustrie@ramindustrie.it  
www.ram-industrie.com

**Ram Industrie srl** - Via G. Verga 6/8 - 20045 Lainate (MI) Italy  
P.I. 02697390124 | Cap. Soc 600.000 €