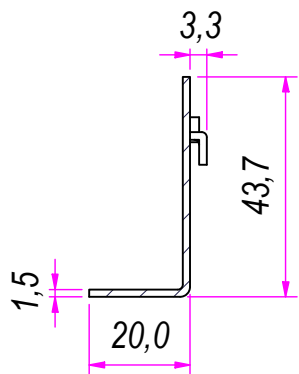
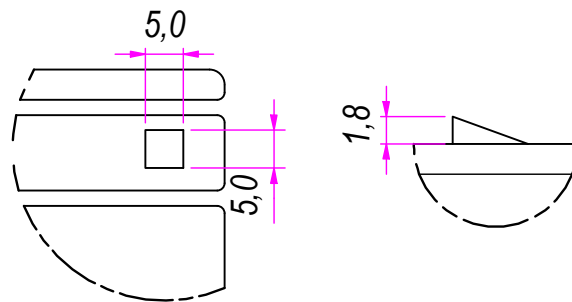


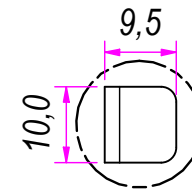
SEZ. A-A



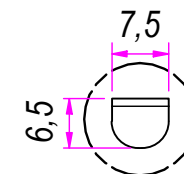
B (1:1)



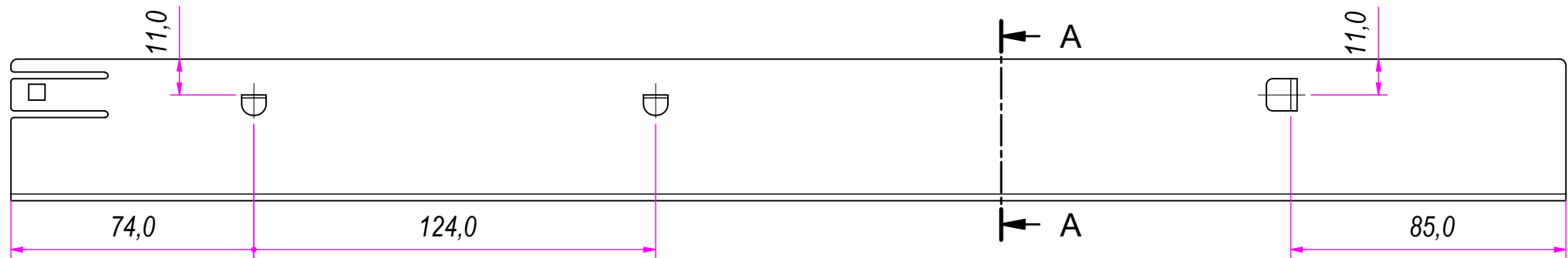
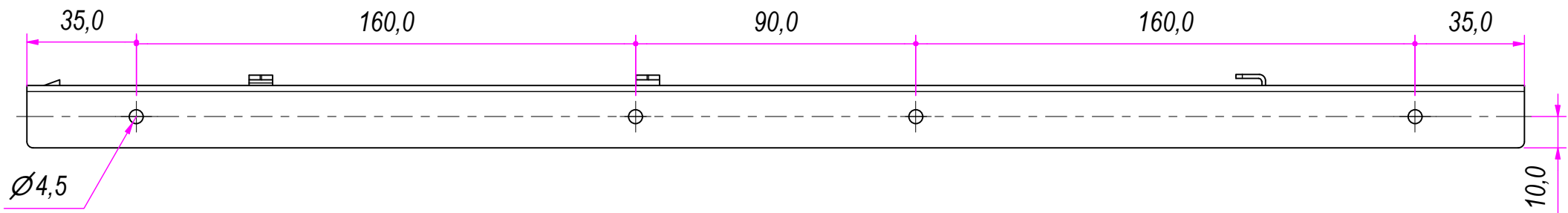
D (1:1)



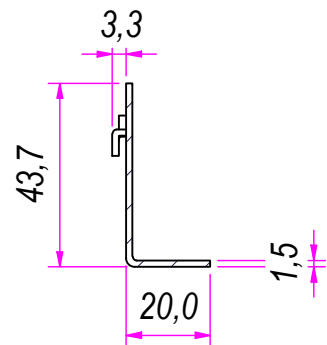
C (1:1)




DESIGNED BY F.Dino	CHECKED AND APPROVED BY L. Paleari	REVISION	DATE 27/05/2016	CODE NE01500(LH)
GENERAL TOLLERANCE SS-ISO-2768-1M		UNIT mm	SCALE	SHEET 1 of 2
DESCRIPTION Black finishing (cataphoresis coating)		MATERIAL Cold rolled steel		
PAIR WEIGHT 0,664 Kg		02C		



SEZ. A-A



DESIGNED BY F.Dino	CHECKED AND APPROVED BY L. Paleari	REVISION	DATE 27/05/2016	CODE NE01500(RH)
GENERAL TOLLERANCE SS-ISO-2768-1M		UNIT mm	SCALE	SHEET 2 of 2
		MATERIAL Cold rolled steel		
		DESCRIPTION Black finishing (cataphoresis coating)	PAIR WEIGHT 0,664 Kg	02C

Property of RAM Industrie.  
Without its written authorization the present drawing shall neither be used for construction anyway, communicated to third parties, nor reproduced.