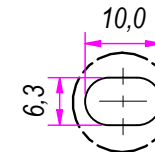
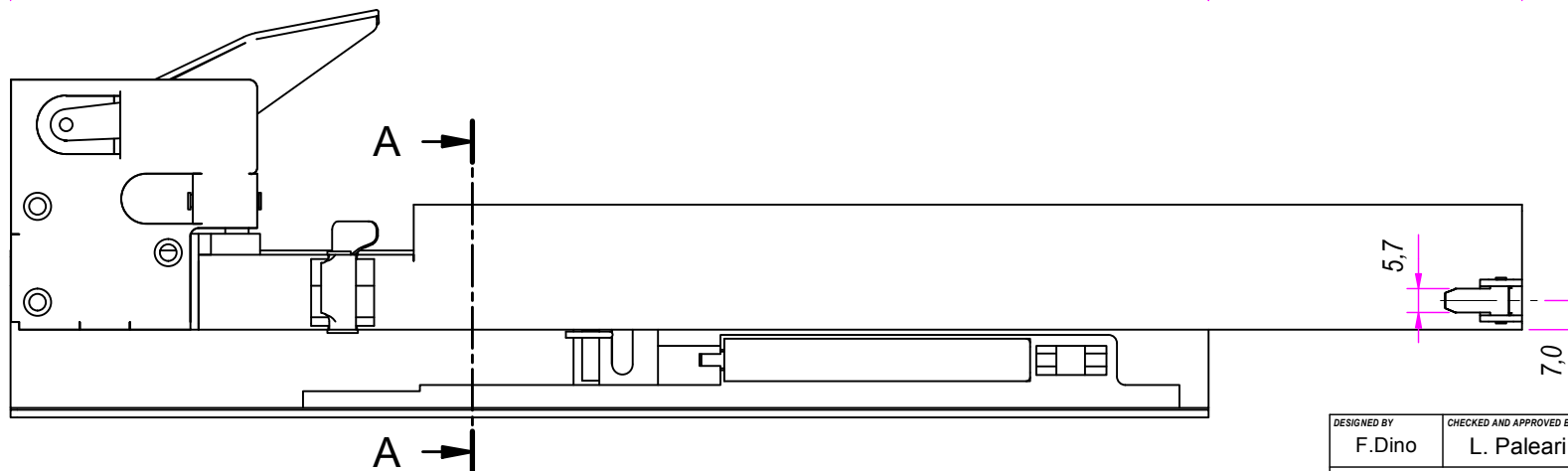
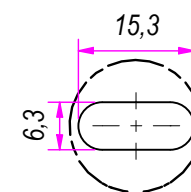


B (1 : 1)



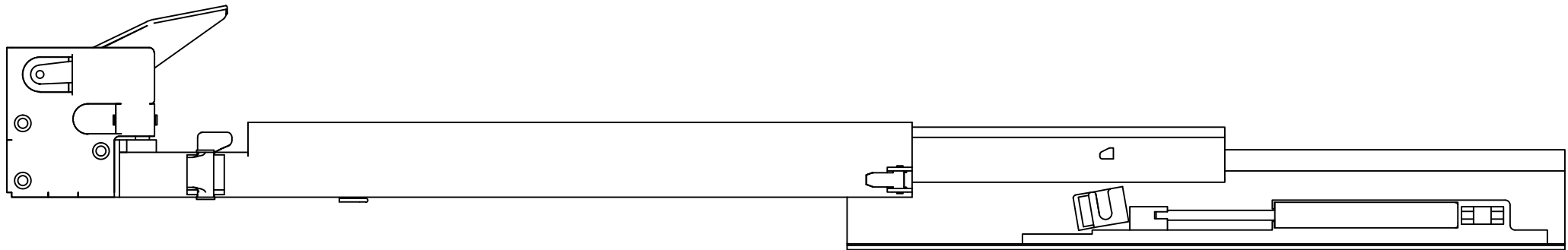
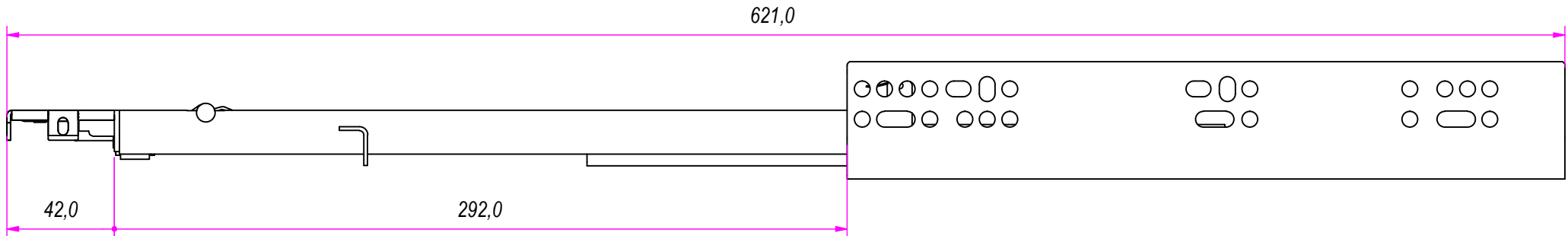
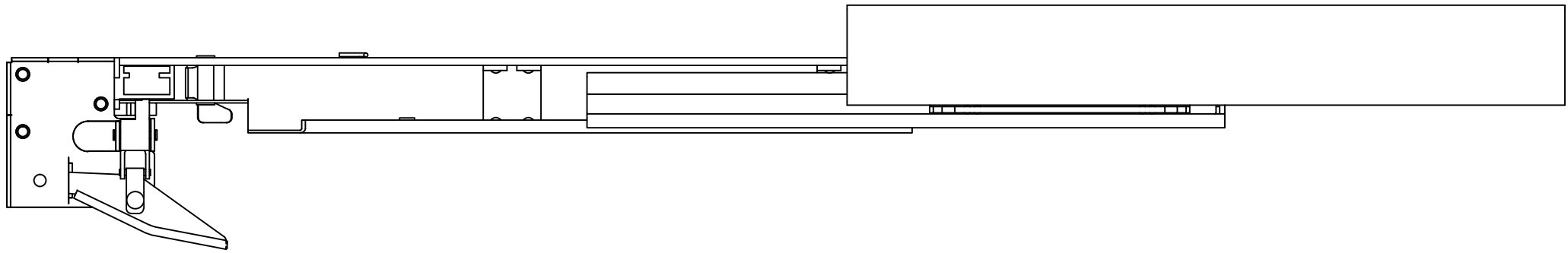
C (1 : 1)



DESIGNED BY F. Dino	CHECKED AND APPROVED BY L. Paleari	GENERAL TOLERANCE SS-ISO-2768-1M	DATE 26/05/2017	CODE Q21350
		PACKAGING Carton 10 sets/Packed R+L	UNIT mm	SHEET 1 of 3
		DESCRIPTION Soft self closing/Oil piston	MATERIAL Cold rolled steel	04C
		PAIR WEIGHT 1,61 Kg	PAIR WEIGHT WITH CARTON 1,694 Kg	


REVISION HISTORY		REV	DESCRIPTION	DATE
Guide per cassetti; guide telescopiche	Coulisses à billes; coulisse télescopique	1a		26/05/2017
Drawer slide; telescopic ball bearing slide	Guías para cajones; guía teleópica			
Kugelführung; Teleskopschienen				

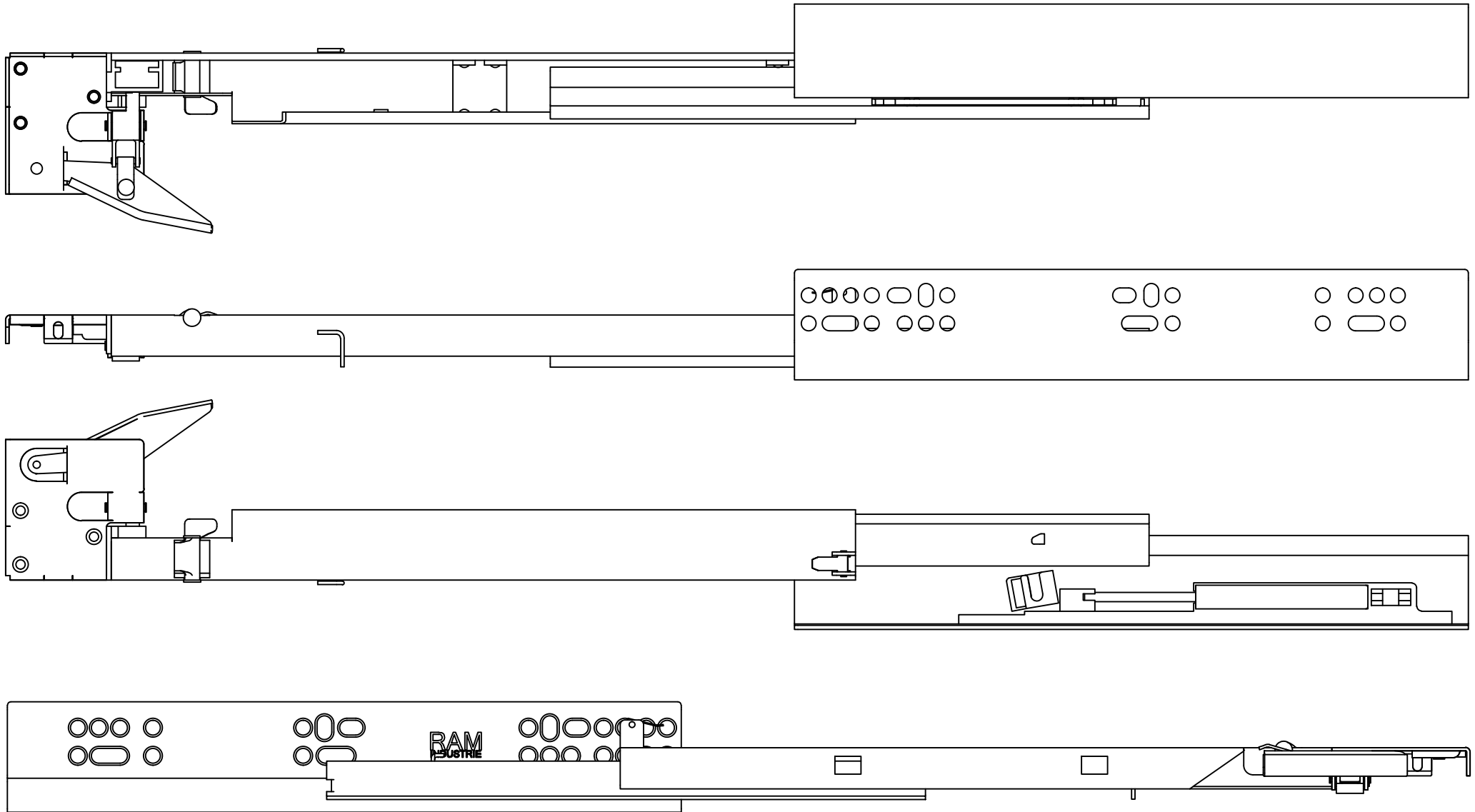
Property of RAM Industrie.
Without its written authorization the present drawing shall neither be used for construction anyway, communicated to third parties, nor reproduced.




Guide per cassetti; guide telescopiche	Coulisses à billes; coulisse télescopique
Drawer slide; telescopic ball bearing slide	Guías para cajones; guía teleópica
Kugelführung; Teleskopschienen	

REVISION HISTORY		
REV	DESCRIPTION	DATE
1a		26/05/2017

DESIGNED BY F. Dino	CHECKED AND APPROVED BY L. Paleari	GENERAL TOLLERANCE SS-ISO-2768-1M	DATE 26/05/2017	CODE Q21350
		PACKAGING Carton 10 sets/Packed R+L	UNIT mm	SHEET 2 of 3
		DESCRIPTION	MATERIAL Cold rolled steel 04C	
		DEVICE Soft self closing/Oil piston	PAIR WEIGHT 1,61 Kg	PAIR WEIGHT WITH CARTON 1,694 Kg
Property of RAM Industrie.				
Without its written authorization the present drawing shall neither be used for construction anyway, communicated to third parties, nor reproduced.				



DESIGNED BY F.Dino	CHECKED AND APPROVED BY L. Paleari	GENERAL TOLLERANCE SS-ISO-2768-1M	DATE 26/05/2017	CODE Q21350
		PACKAGING Carton 10 sets/Packed R+L	UNIT mm	SHEET 3 of 3
		DESCRIPTION Soft self closing/Oil piston	MATERIAL Cold rolled steel	04C
		PAIR WEIGHT 1,61 Kg	PAIR WEIGHT WITH CARTON 1,694 Kg	

Property of RAM Industrie.
Without its written authorization the present drawing shall neither be used for construction anyway, communicated to third parties, nor reproduced.