
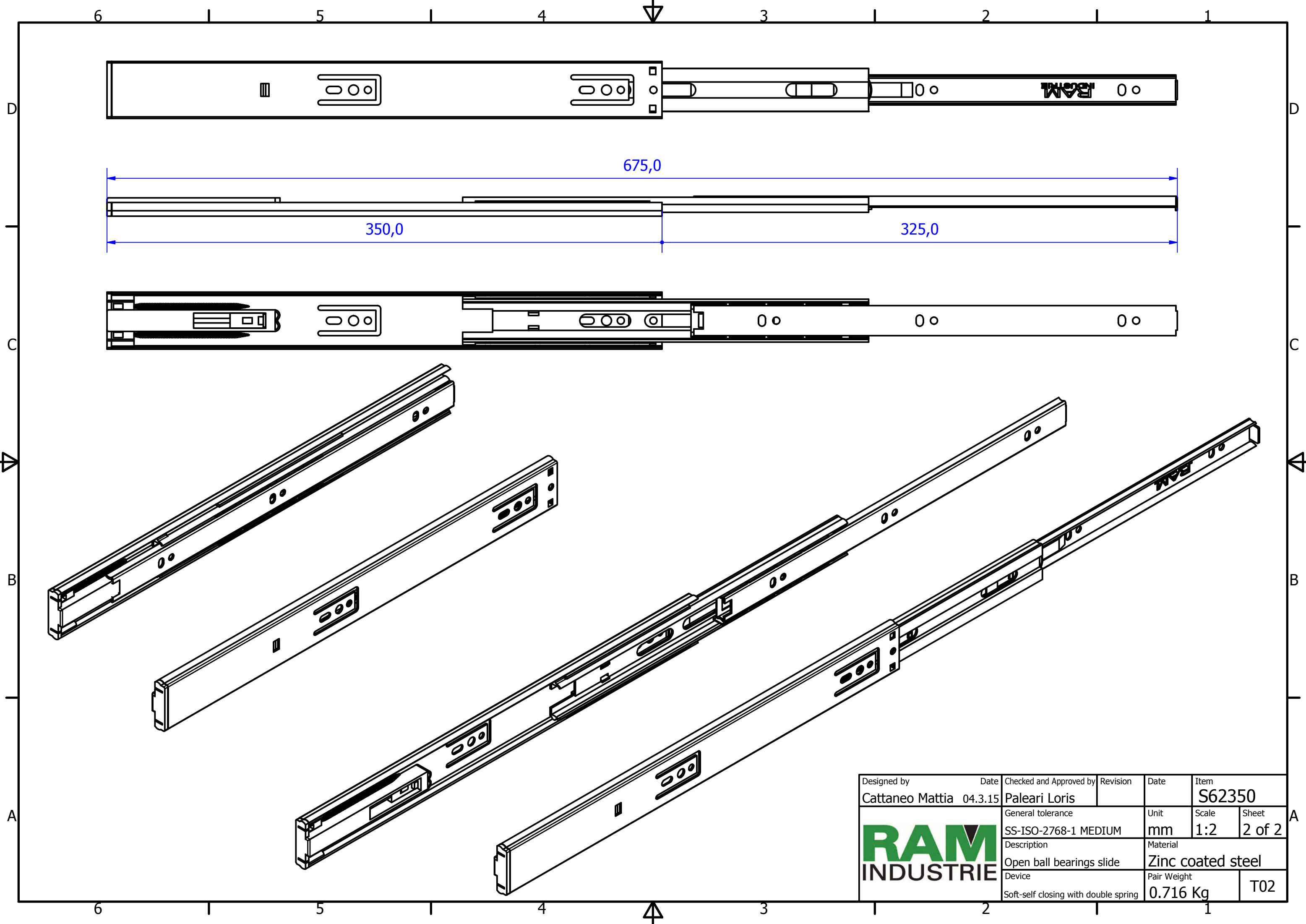



Designed by Cattaneo Mattia	Date 04.3.15	Checked and Approved by Paleari Loris	Revision	Date	Item S62350
		General tolerance SS-ISO-2768-1 MEDIUM	Unit mm	Scale 1:1	Sheet 1 of 2
		Description Closed ball bearings slide	Material Zinc coated steel		
Device Soft-self closing with double spring		Pair Weight 0.716 Kg	T02		



Designed by Cattaneo Mattia	Date 04.3.15	Checked and Approved by Paleari Loris	Revision	Date	Item S62350
			General tolerance SS-ISO-2768-1 MEDIUM	Unit mm	Scale 1:2
			Description Open ball bearings slide	Material Zinc coated steel	
Device Soft-self closing with double spring	Pair Weight 0.716 Kg		T02		