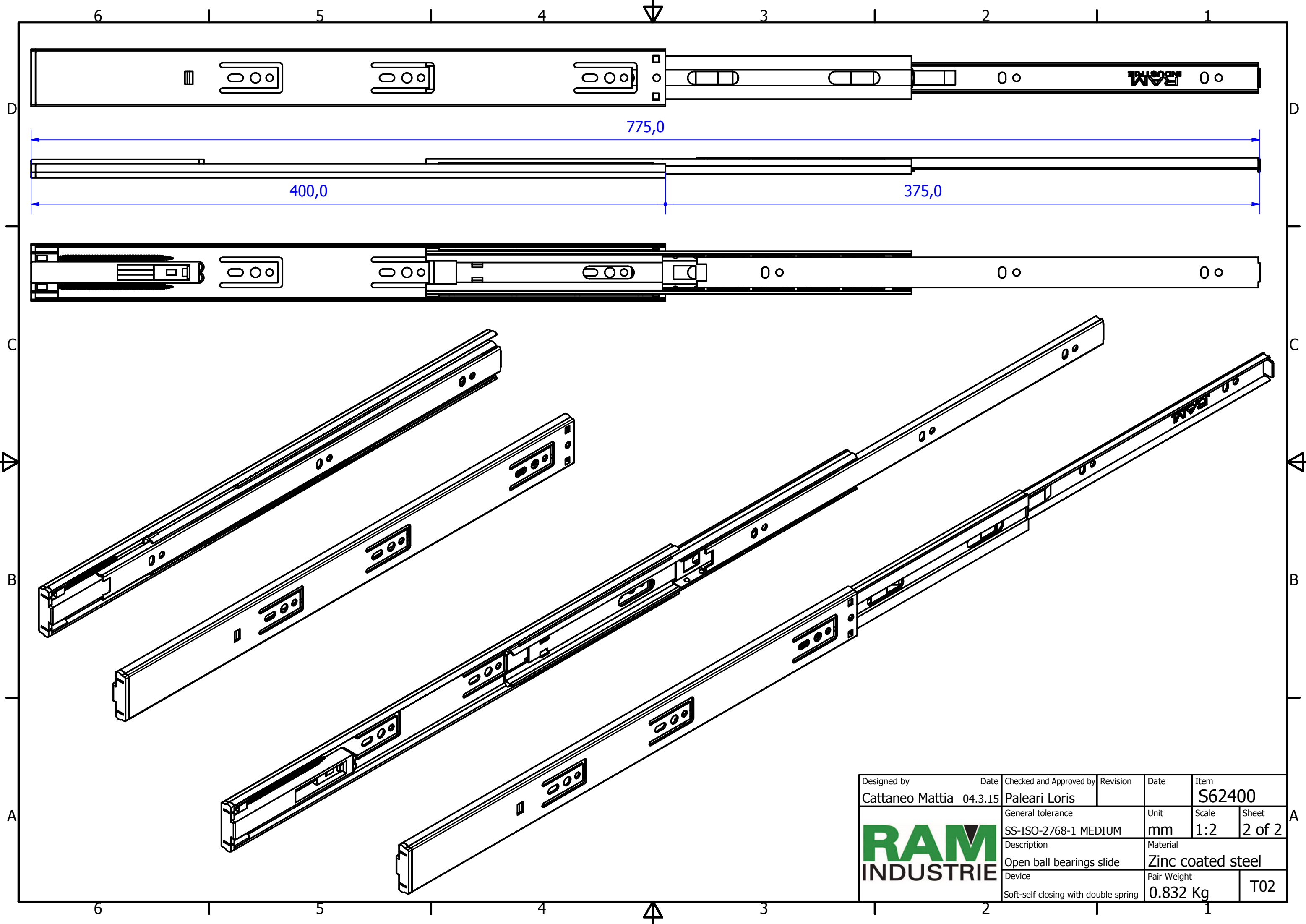


Designed by Cattaneo Mattia	Date 04.3.15	Checked and Approved by Paleari Loris	Revision	Date	Item S62400
		General tolerance SS-ISO-2768-1 MEDIUM	Unit mm	Scale 1:1.25	Sheet 1 of 2
		Description Closed ball bearings slide	Material Zinc coated steel		
Device Soft-self closing with double spring		Pair Weight 0.832 Kg	T02		



Designed by	Date	Checked and Approved by	Revision	Date	Item
Cattaneo Mattia	04.3.15	Paleari Loris			S62400
General tolerance			Unit	Scale	Sheet
SS-ISO-2768-1 MEDIUM			mm	1:2	2 of 2
Description			Material		
Open ball bearings slide			Zinc coated steel		
Device			Pair Weight		
Soft-self closing with double spring			0.832 Kg		T02

