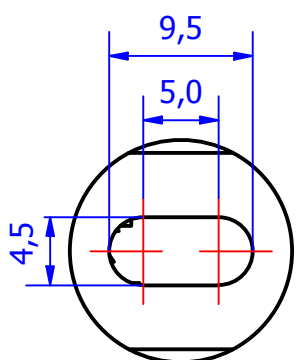


133,0 12,59,0 170,0 12,59,0 106,5 12,59,0 26,0 5,5

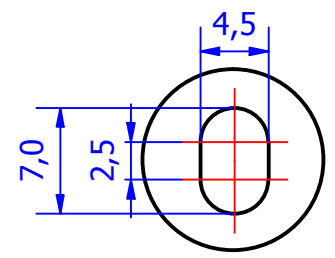
500,0

43,0 9,0 48,5 9,0 183,0 9,0 118,5 9,0 26,0

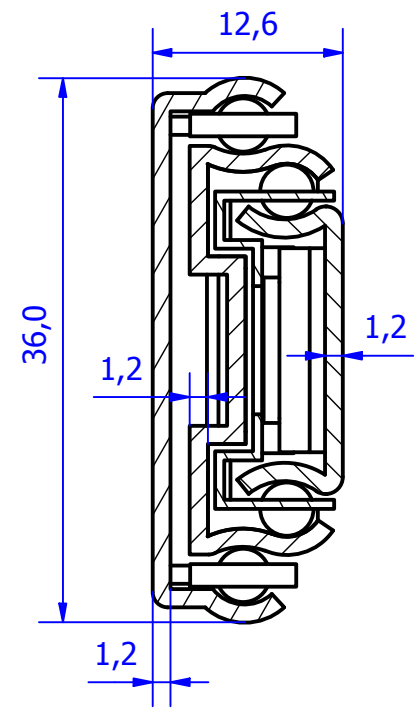
Cage with 18 ball bearings pairs



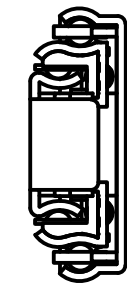
E (2 : 1)



D (2 : 1)




C-C (2 : 1)

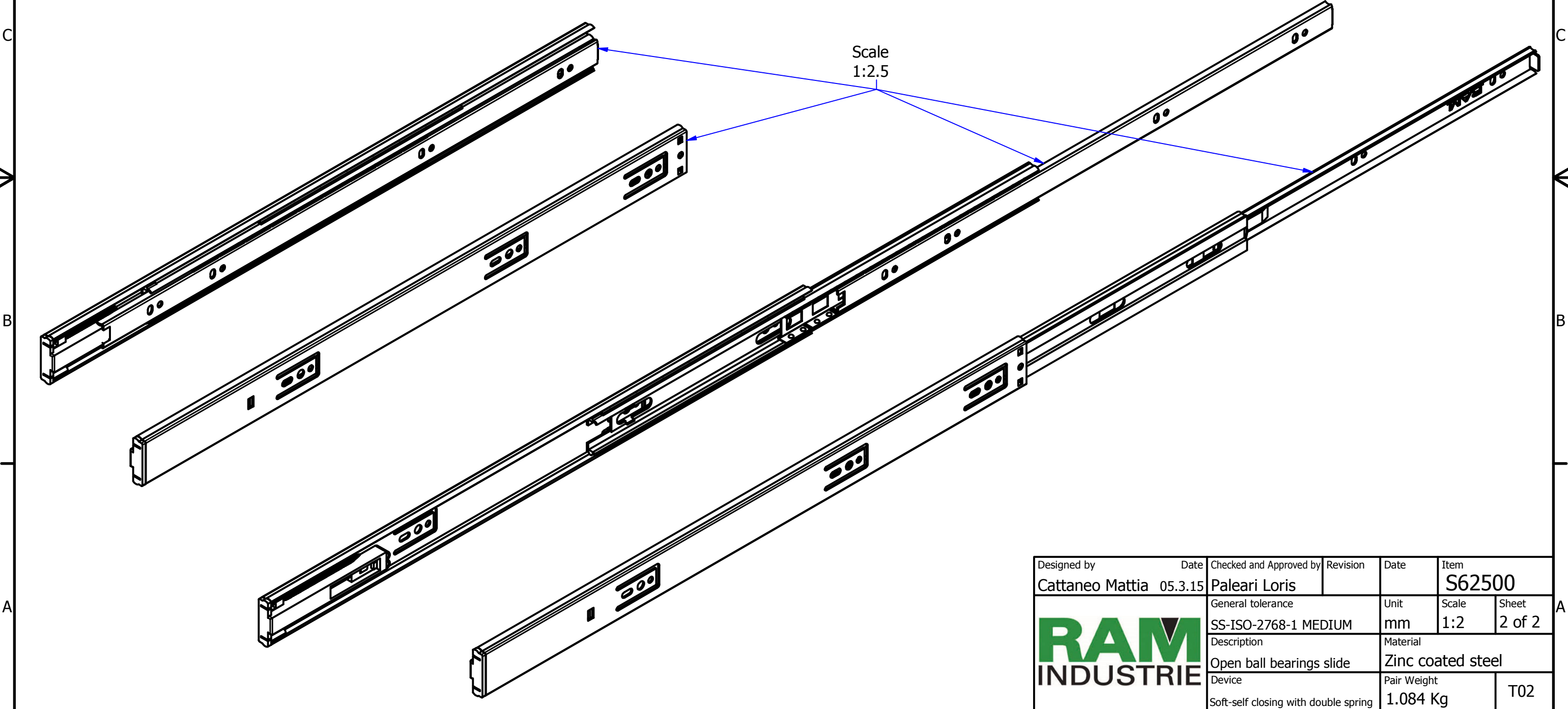
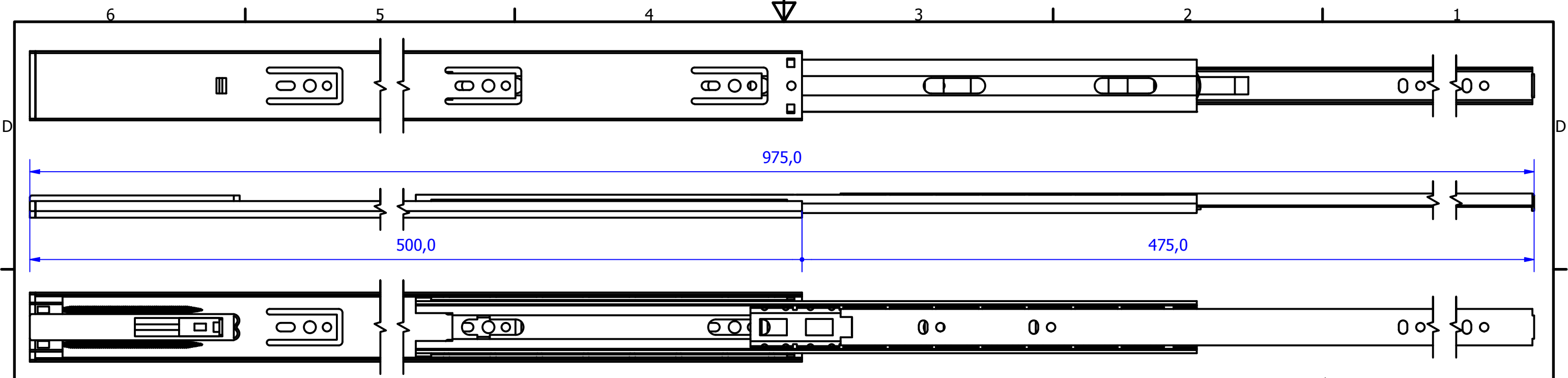



B (1 : 1)



A (1 : 1)

Designed by Cattaneo Mattia	Date 05.3.15	Checked and Approved by Paleari Loris	Revision	Date	Item S62500
		General tolerance SS-ISO-2768-1 MEDIUM	Unit mm	Scale 1:1.5	Sheet 1 of 2
		Description Closed ball bearings slide	Material Zinc coated steel		
Device Soft-self closing with double spring	Pair Weight 1.084 Kg	T02			



Designed by Cattaneo Mattia	Date 05.3.15	Checked and Approved by Paleari Loris	Revision	Date	Item S62500
			General tolerance SS-ISO-2768-1 MEDIUM	Unit mm	Scale 1:2
			Description Open ball bearings slide	Material Zinc coated steel	
Device Soft-self closing with double spring			Pair Weight 1.084 Kg	T02	