
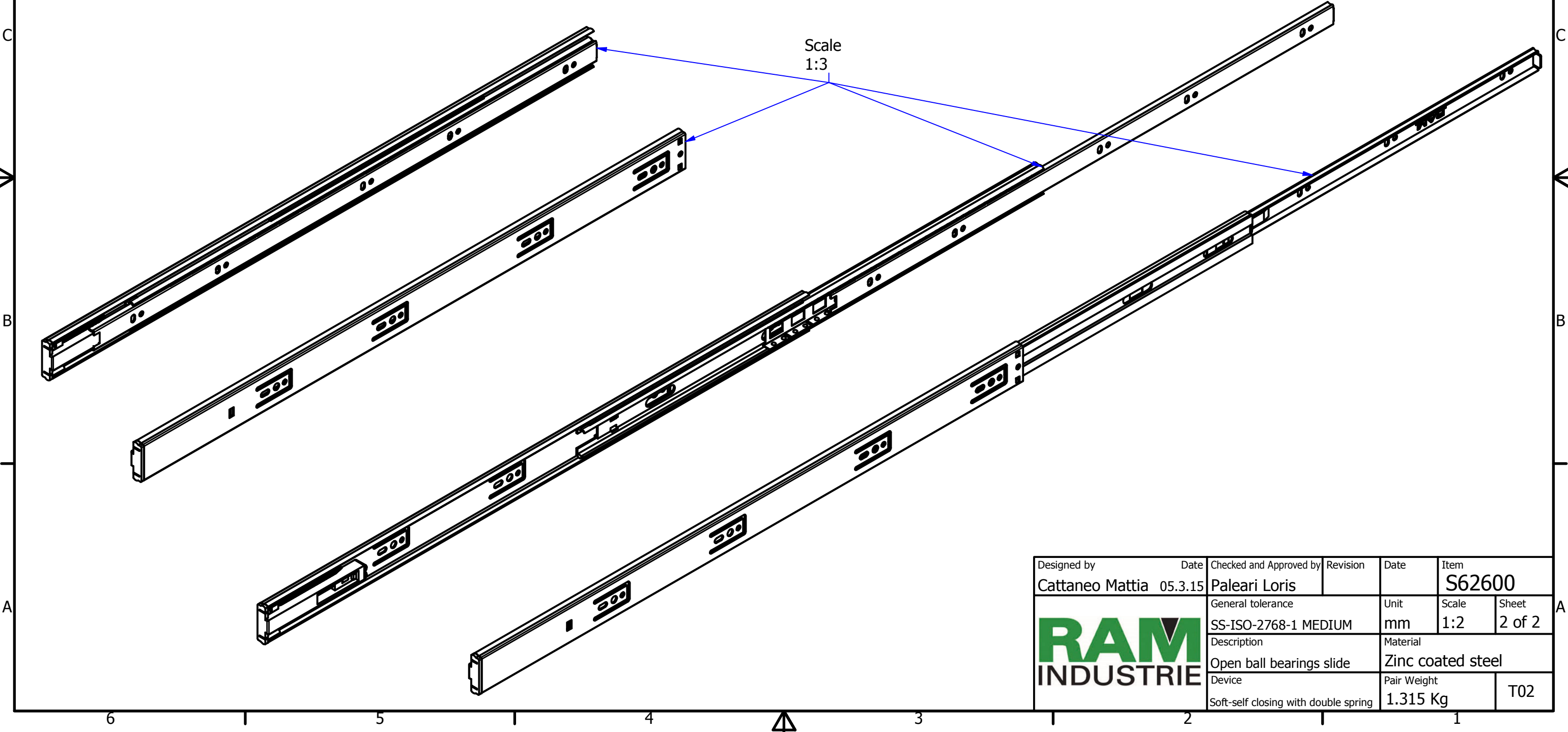
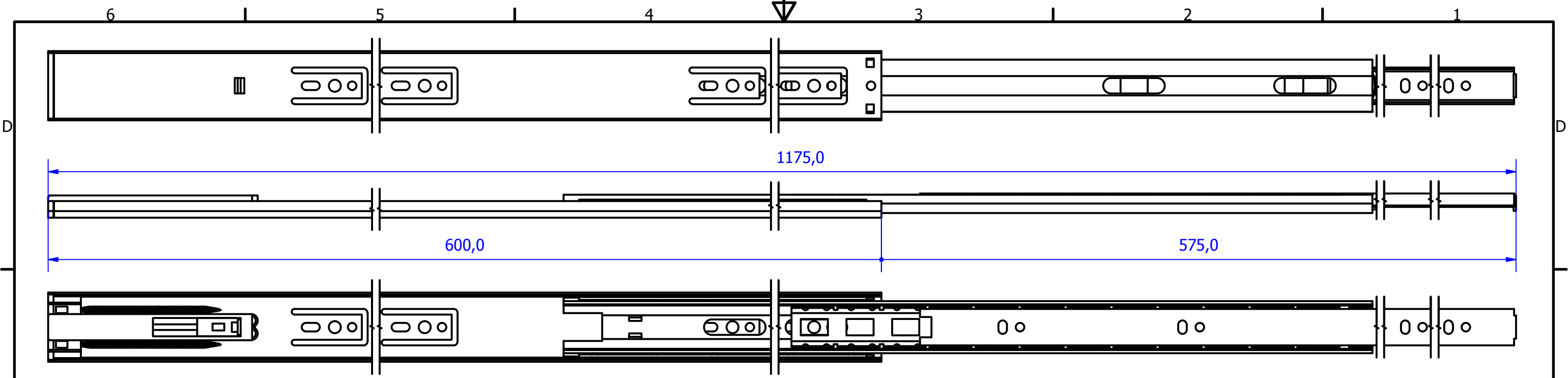



Designed by Cattaneo Mattia	Date 05.3.15	Checked and Approved by Paleari Loris	Revision	Date	Item S62600
		General tolerance SS-ISO-2768-1 MEDIUM	Unit mm	Scale 1:1.5	Sheet 1 of 2
		Description Closed ball bearings slide	Material Zinc coated steel		
Device Soft-self closing with double spring		Pair Weight 1.315 Kg	T02		



Designed by Cattaneo Mattia	Date 05.3.15	Checked and Approved by Paleari Loris	Revision	Date	Item S62600
		General tolerance SS-ISO-2768-1 MEDIUM	Unit mm	Scale 1:2	Sheet 2 of 2
		Description Open ball bearings slide	Material Zinc coated steel		
Device Soft-self closing with double spring		Pair Weight 1.315 Kg	T02		