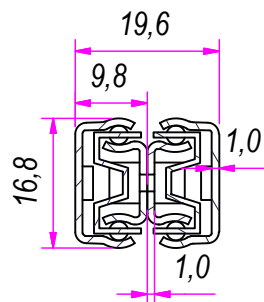
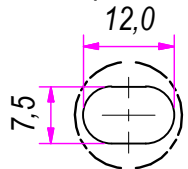


SEZ. A-A



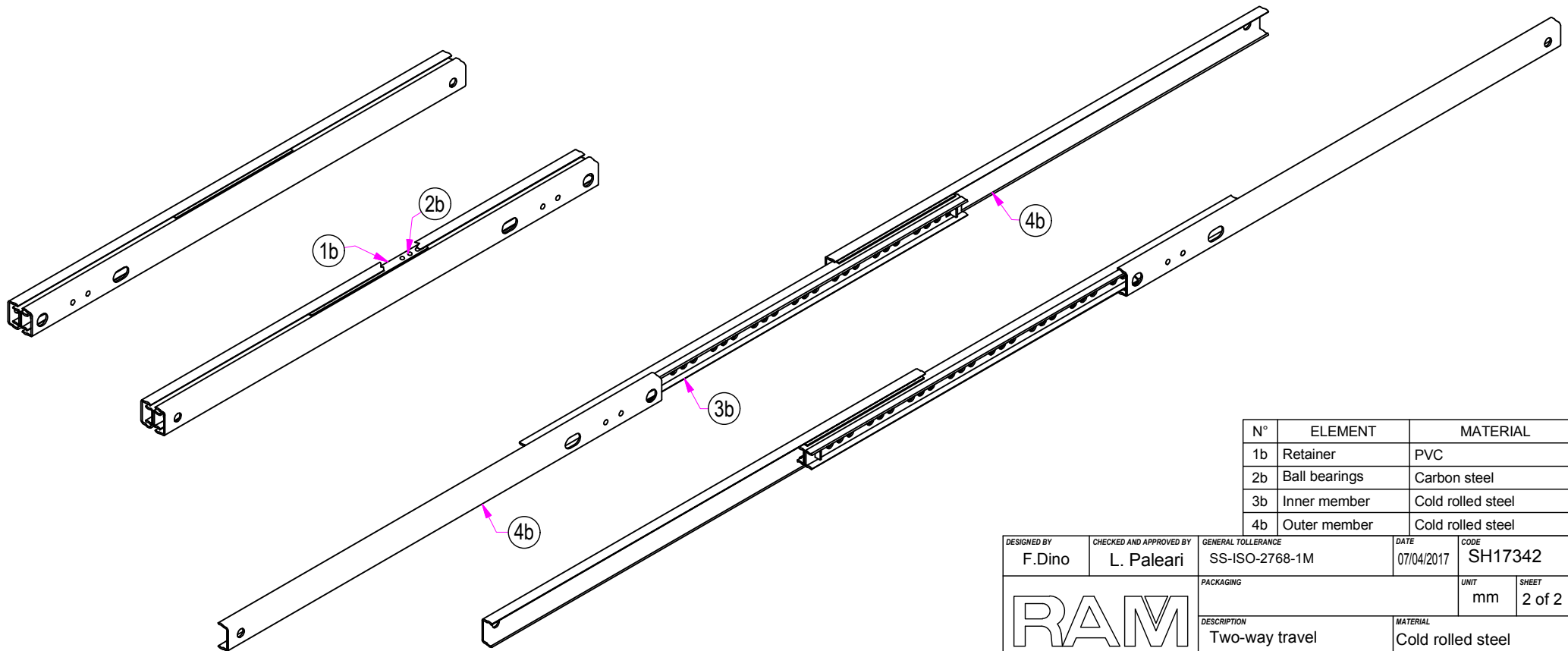
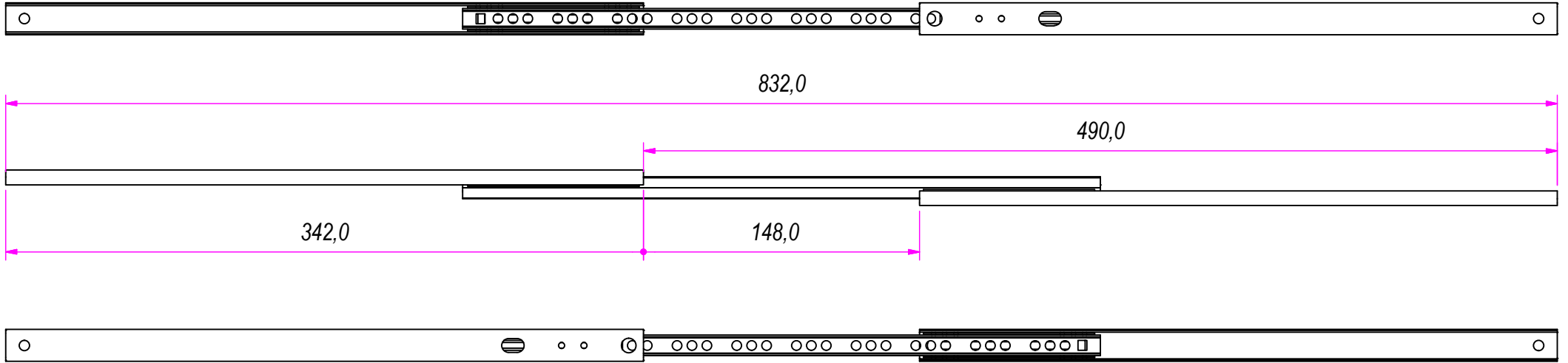
B (1:1)



DESIGNED BY F. Dino	CHECKED AND APPROVED BY L. Paleari	GENERAL TOLERANCE SS-ISO-2768-1M	DATE 07/04/2017	CODE SH17342
PACKAGING			UNIT mm	SHEET 1 of 2
		DESCRIPTION Two-way travel	MATERIAL Cold rolled steel	
		DEVICE	PAIR WEIGHT 0,486 Kg	021

Guide per cassetti; guide telescopiche	Coulisses à billes; coulisse télescopique	REVISION HISTORY		
Drawer slide; telescopic ball bearing slide	Guías para cajones; guía teleópica	REV	DESCRIPTION	DATE
Kugelführung; Teleskopschienen		1a		07/04/2017

Property of RAM Industrie.  
Without its written authorization the present drawing shall neither be used for construction anyway, communicated to third parties, nor reproduced.



N°	ELEMENT	MATERIAL
1b	Retainer	PVC
2b	Ball bearings	Carbon steel
3b	Inner member	Cold rolled steel
4b	Outer member	Cold rolled steel

DESIGNED BY F. Dino	CHECKED AND APPROVED BY L. Paleari	GENERAL TOLLERANCE SS-ISO-2768-1M	DATE 07/04/2017	CODE SH17342
PACKAGING			UNIT mm	SHEET 2 of 2
DESCRIPTION Two-way travel			MATERIAL Cold rolled steel	
DEVICE			PAIR WEIGHT 0,486 Kg	021

**RAM**  
**INDUSTRIE**

		REVISION HISTORY	
		REV	DESCRIPTION
Guide per cassetti; guide telescopiche	Coulisses à billes; coulisse télescopique		
Drawer slide; telescopic ball bearing slide	Guías para cajones; guía teleópica	1a	
Kugelführung; Teleskopschienen			

DATE  
07/04/2017

Without its written authorization the present drawing shall neither be used for construction anyway, communicated to third parties, nor reproduced.

Property of RAM Industrie.