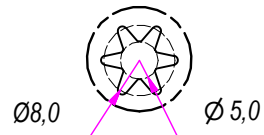
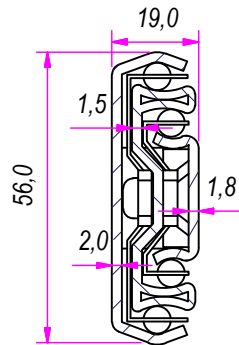



B (1:1)



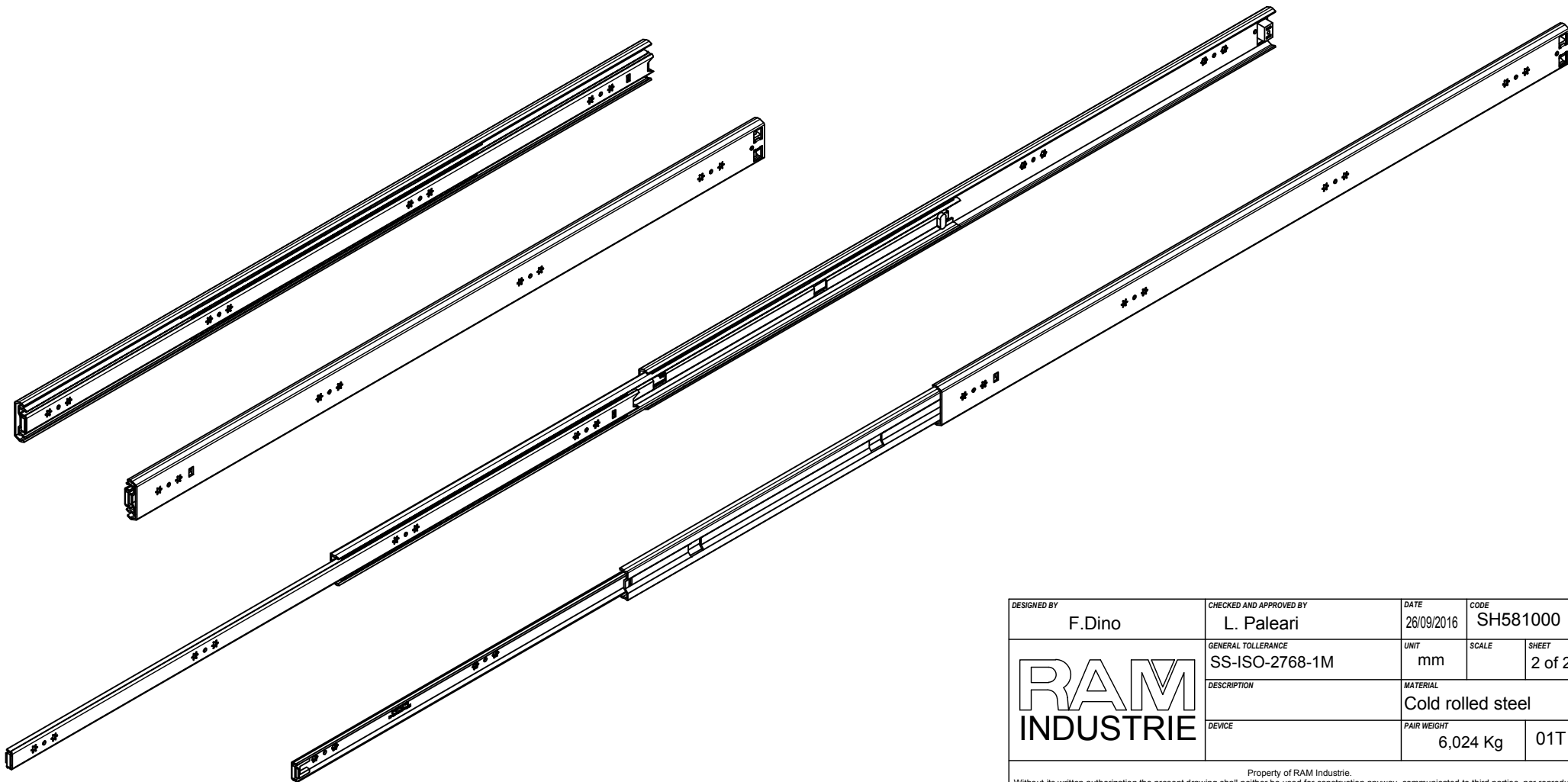
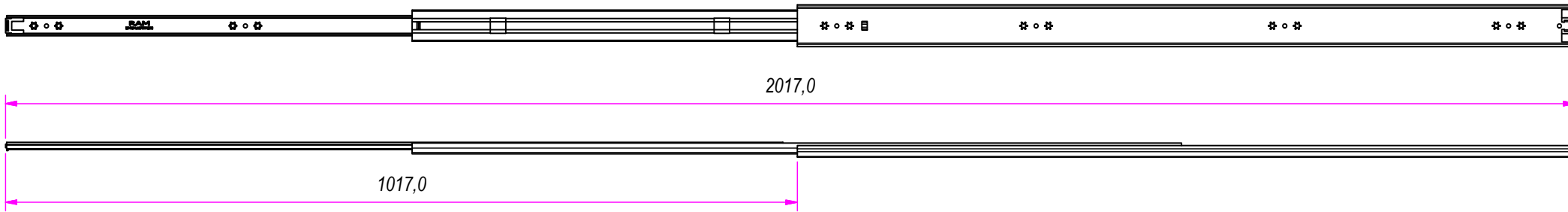
SEZ. A-A




REVISION HISTORY			
REV	DESCRIPTION	APPROVED BY	DATE
1		F.Dino	

DESIGNED BY F.Dino	CHECKED AND APPROVED BY L. Paleari	DATE 26/09/2016	CODE SH581000
	GENERAL TOLLERANCE SS-ISO-2768-1M	UNIT mm	SCALE 1 of 2
	DESCRIPTION	MATERIAL Cold rolled steel	
DEVICE	PAIR WEIGHT 6,028 Kg	01T	

Property of RAM Industrie.  
Without its written authorization the present drawing shall neither be used for construction anyway, communicated to third parties, nor reproduced.



DESIGNED BY F.Dino	CHECKED AND APPROVED BY L. Paleari	DATE 26/09/2016	CODE SH581000
	GENERAL TOLLERANCE SS-ISO-2768-1M	UNIT mm	SCALE SHEET 2 of 2
	DESCRIPTION	MATERIAL Cold rolled steel	
DEVICE	PAIR WEIGHT 6,024 Kg	01T	

Property of RAM Industrie.  
Without its written authorization the present drawing shall neither be used for construction anyway, communicated to third parties, nor reproduced.