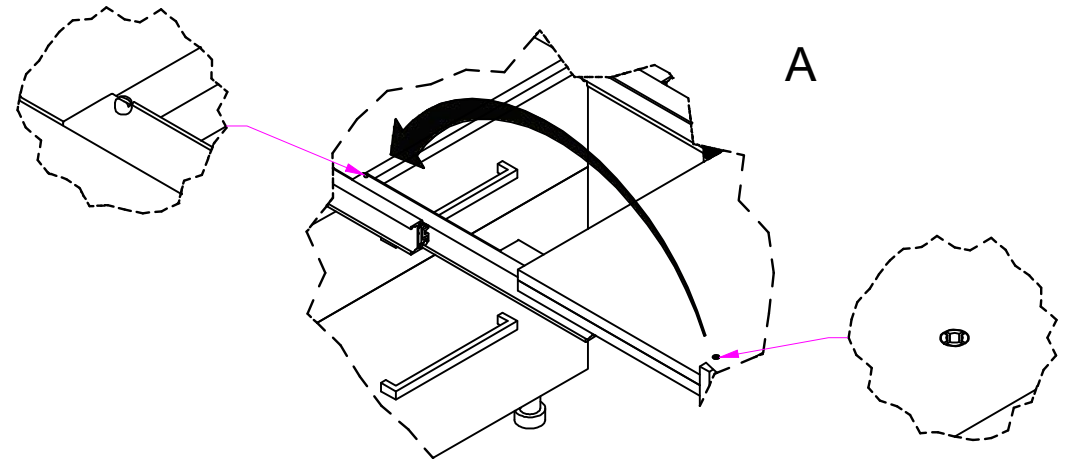
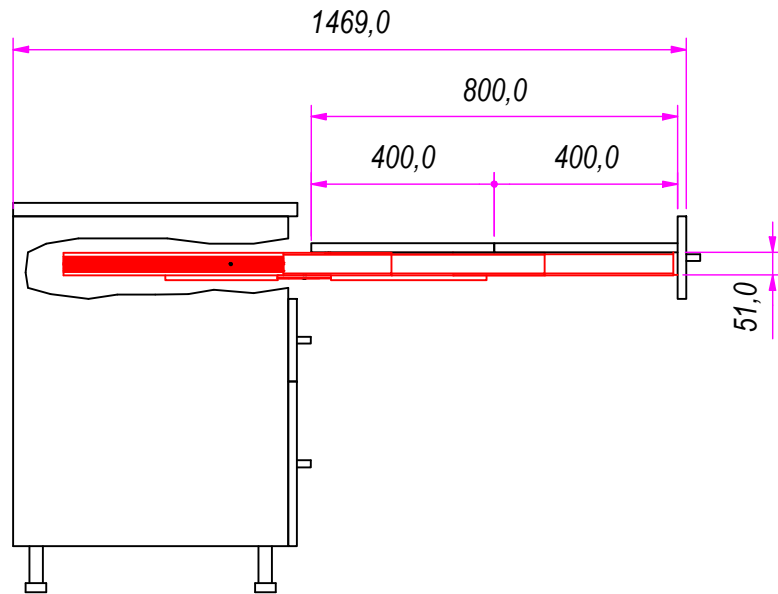
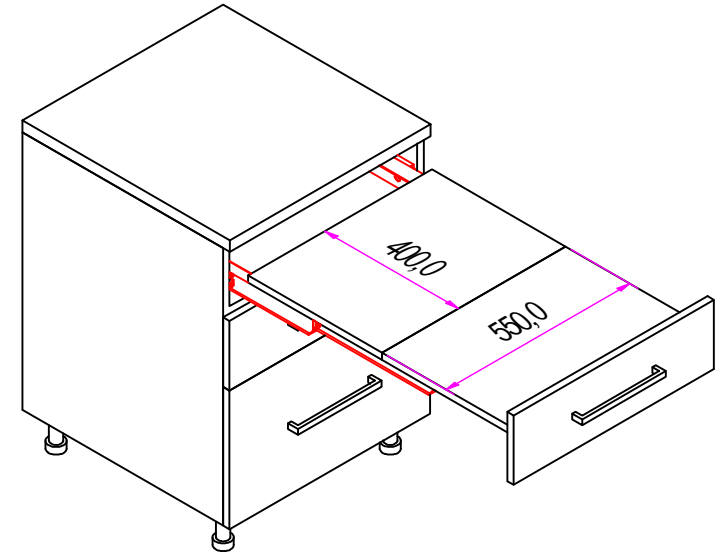
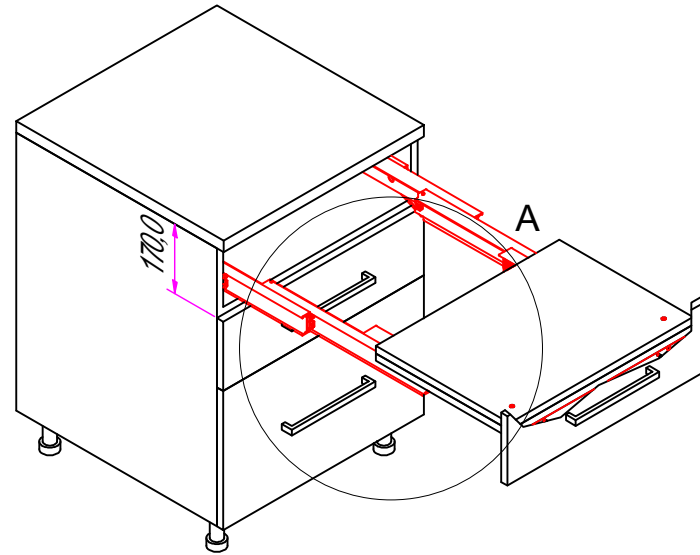
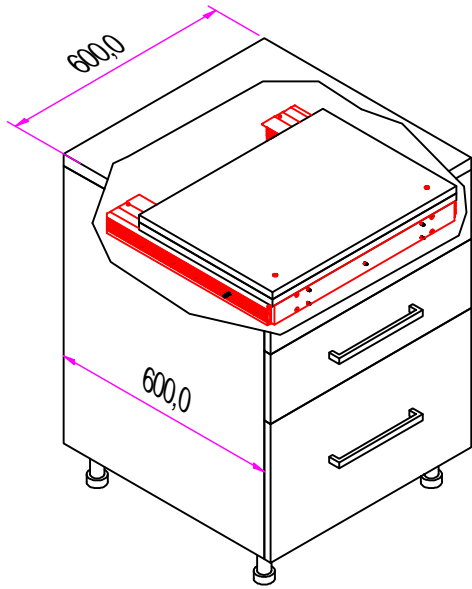
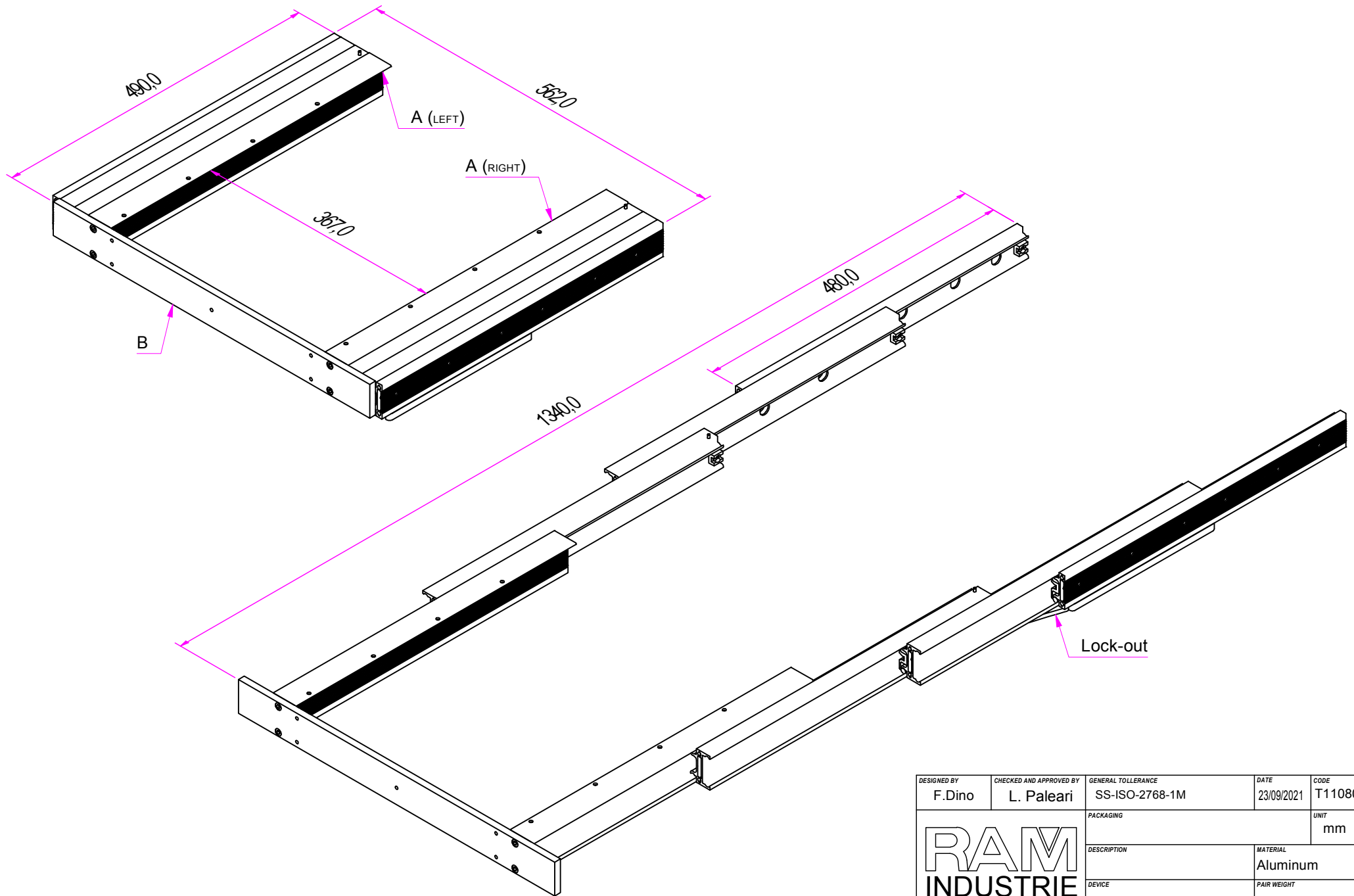


CABINET 600 mm EXTENSION 800 mm



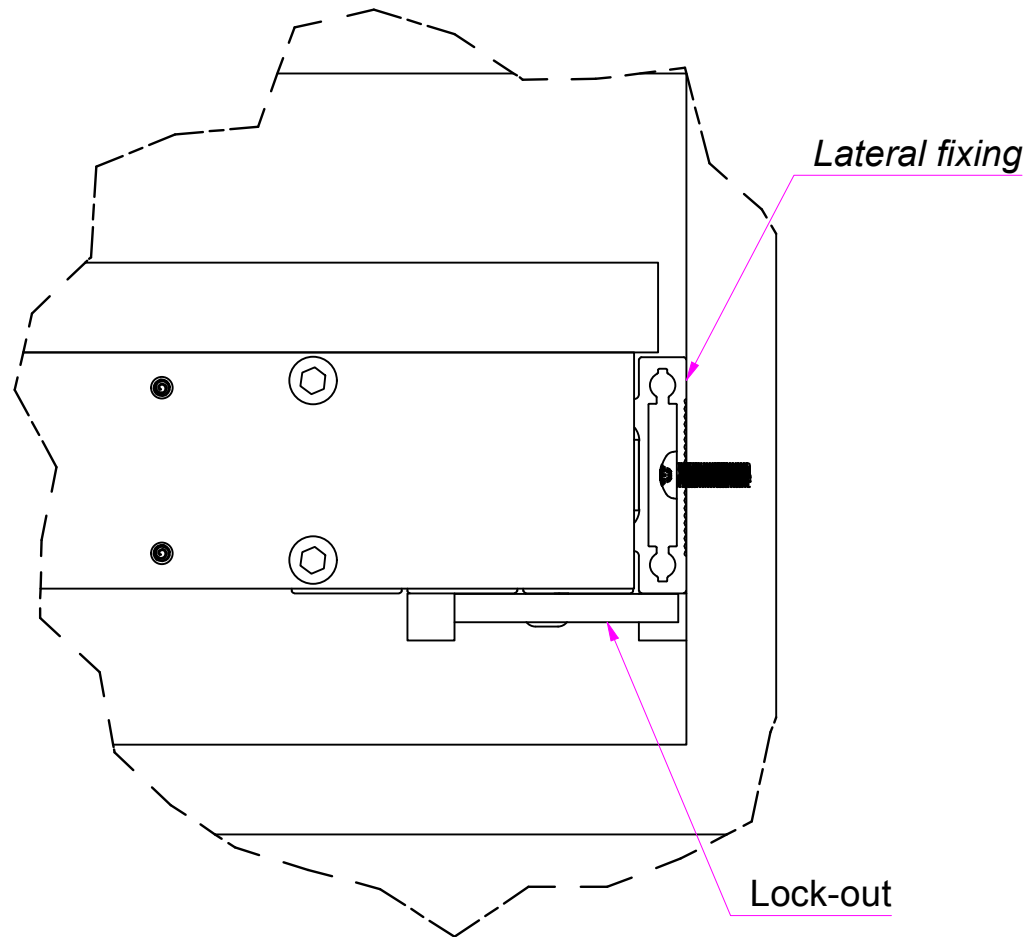
DESIGNED BY F. Dino	CHECKED AND APPROVED BY L. Paleari	GENERAL TOLLERANCE SS-ISO-2768-1M	DATE 23/09/2021	CODE T110800A
PACKAGING			UNIT mm	SHEET 1 of 7
			MATERIAL Aluminum	
			PAIR WEIGHT	

Property of RAM Industrie.
Without its written authorization the present drawing shall neither be used for construction anyway, communicated to third parties, nor reproduced.

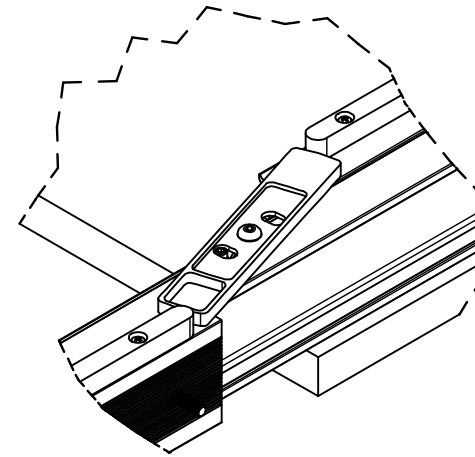


DESIGNED BY F. Dino	CHECKED AND APPROVED BY L. Paleari	GENERAL TOLERANCE SS-ISO-2768-1M	DATE 23/09/2021	CODE T110800A	
			PACKAGING	UNIT mm	SHEET 2 of 7
			DESCRIPTION	MATERIAL Aluminum	
			DEVICE	PAIR WEIGHT	

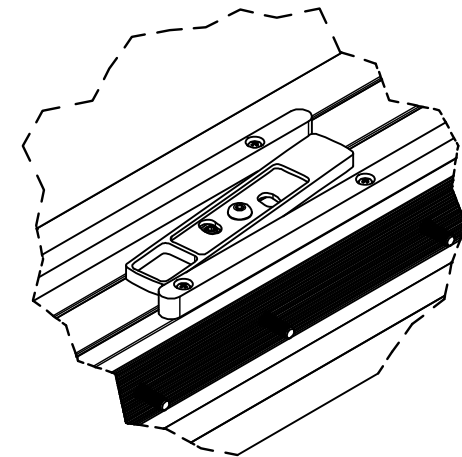
Property of RAM Industrie.
Without its written authorization the present drawing shall neither be used for construction anyway, communicated to third parties, nor reproduced.




Lock-out open



Lock-out closed

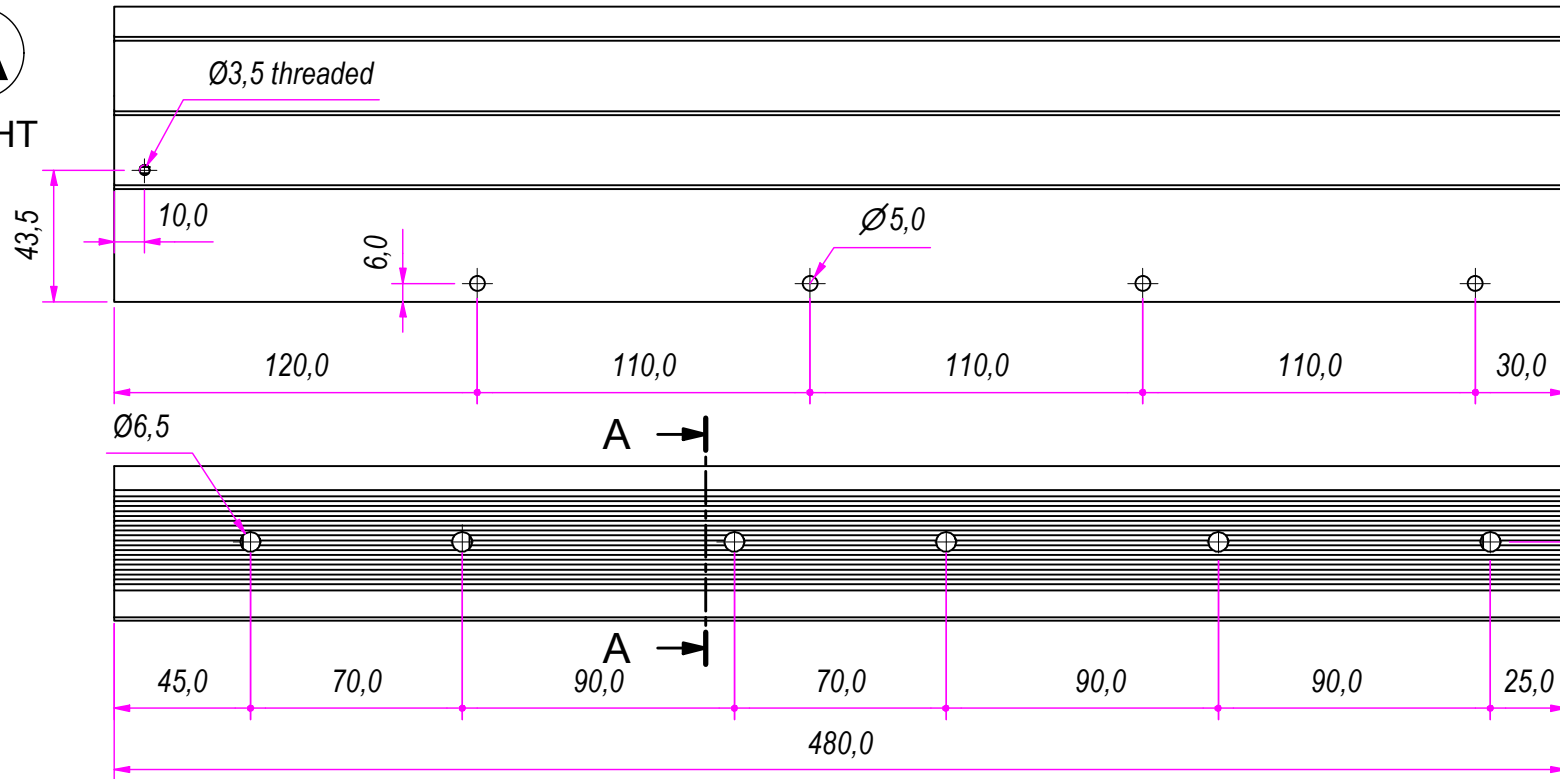


DESIGNED BY F.Dino	CHECKED AND APPROVED BY L. Paleari	GENERAL TOLERANCE SS-ISO-2768-1M	DATE 23/09/2021	CODE T110800A	
			PACKAGING	UNIT mm	SHEET 3 of 7
			DESCRIPTION	MATERIAL Aluminum	
DEVICE			PAIR WEIGHT		

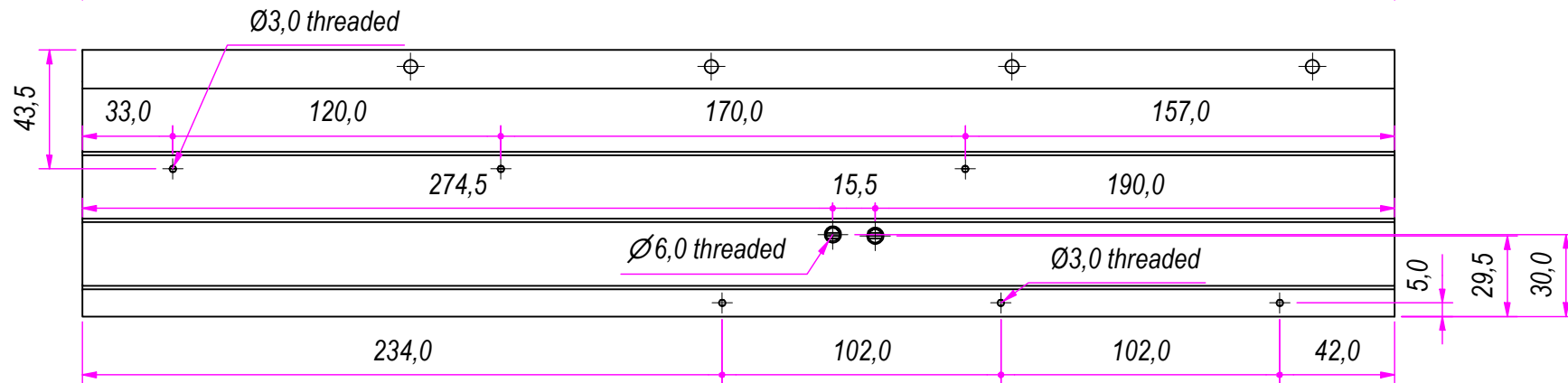
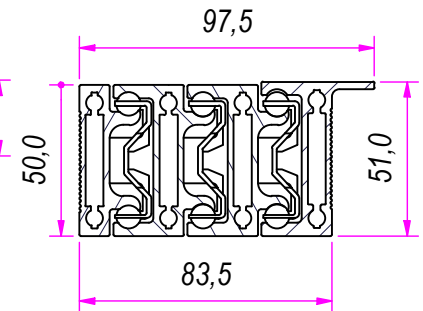
Property of RAM Industrie.
Without its written authorization the present drawing shall neither be used for construction anyway, communicated to third parties, nor reproduced.

A

RIGHT



SEZ. A-A

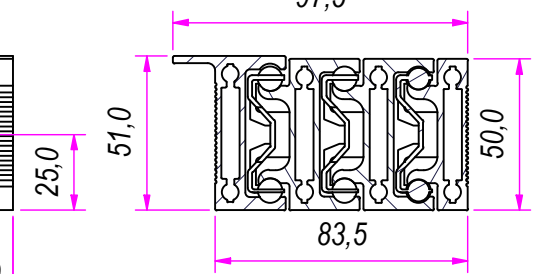
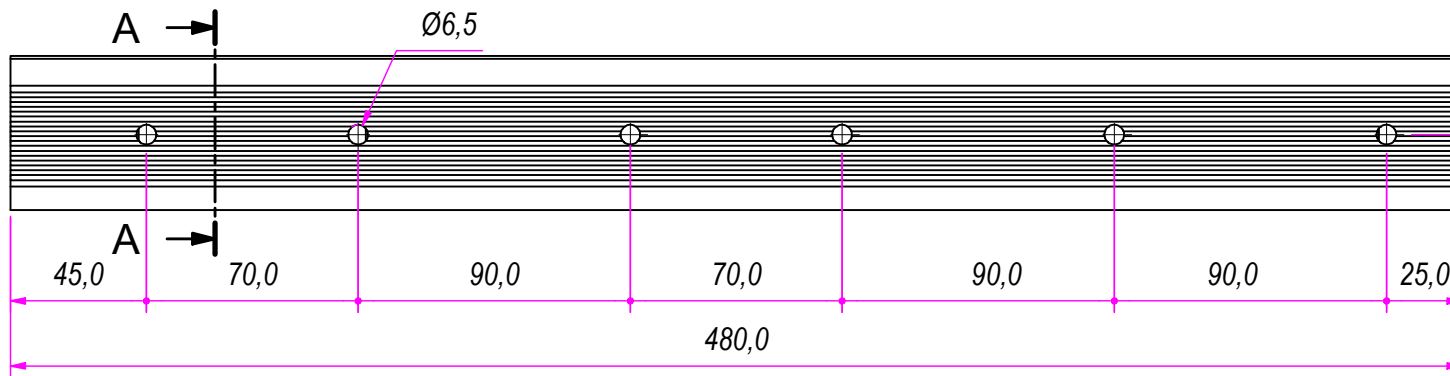
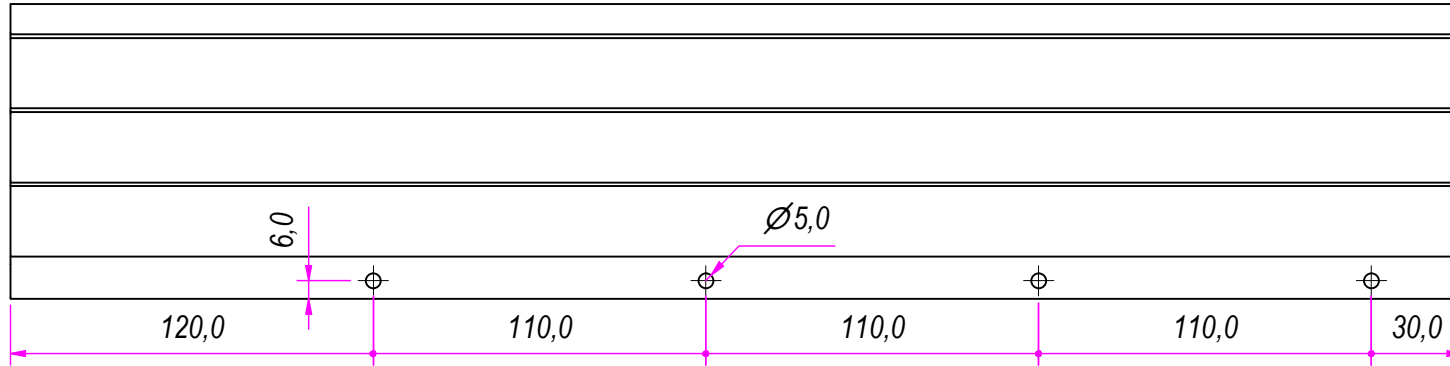


DESIGNED BY F. Dino	CHECKED AND APPROVED BY L. Paleari	GENERAL TOLERANCE SS-ISO-2768-1M	DATE 23/09/2021	CODE T1104480
		PACKAGING	UNIT mm	SHEET 4 of 7
		DESCRIPTION	MATERIAL Aluminum	
		DEVICE	PAIR WEIGHT	

Property of RAM Industrie.
Without its written authorization the present drawing shall neither be used for construction anyway, communicated to third parties, nor reproduced.

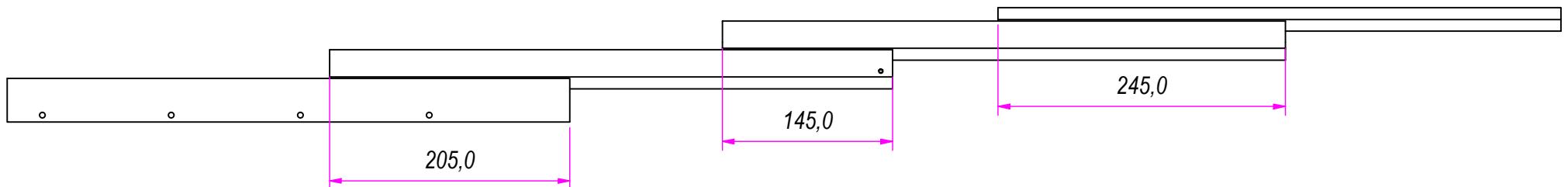
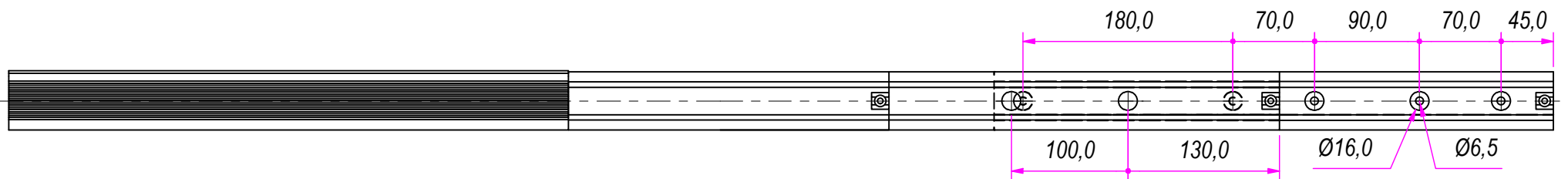
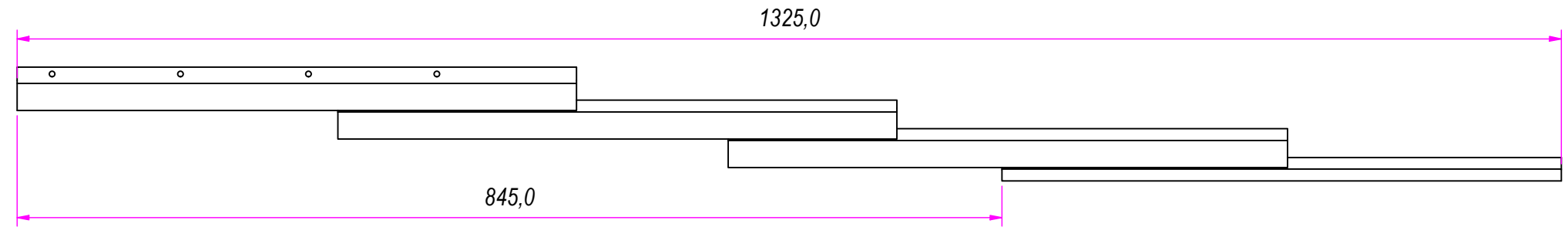
A

LEFT



DESIGNED BY F.Dino	CHECKED AND APPROVED BY L. Paleari	GENERAL TOLERANCE SS-ISO-2768-1M	DATE 23/09/2021	CODE T1104480
			PACKAGING	UNIT mm
			DESCRIPTION	SHEET 5 of 7
MATERIAL Aluminum		DEVICE	PAIR WEIGHT	

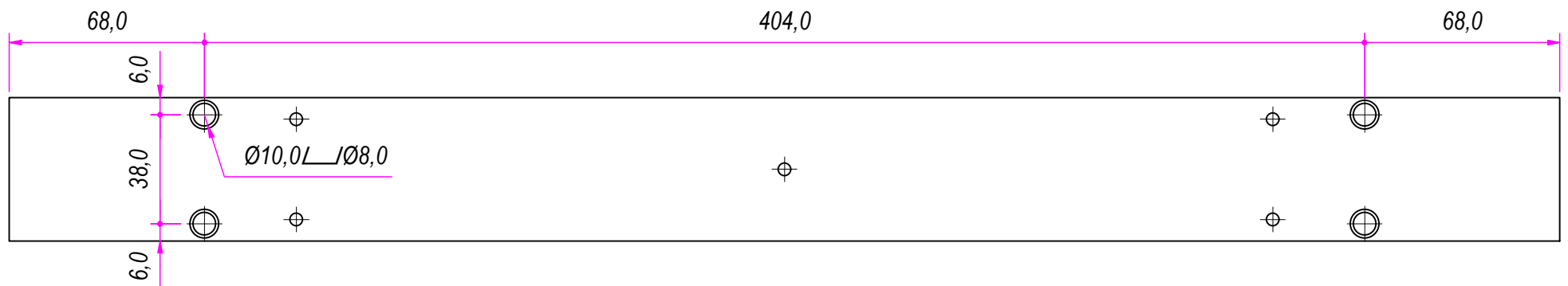
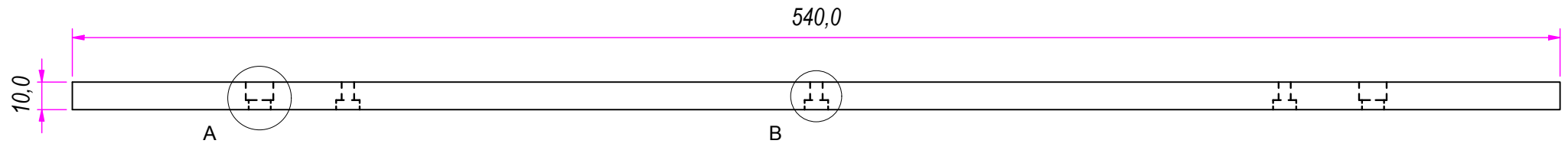
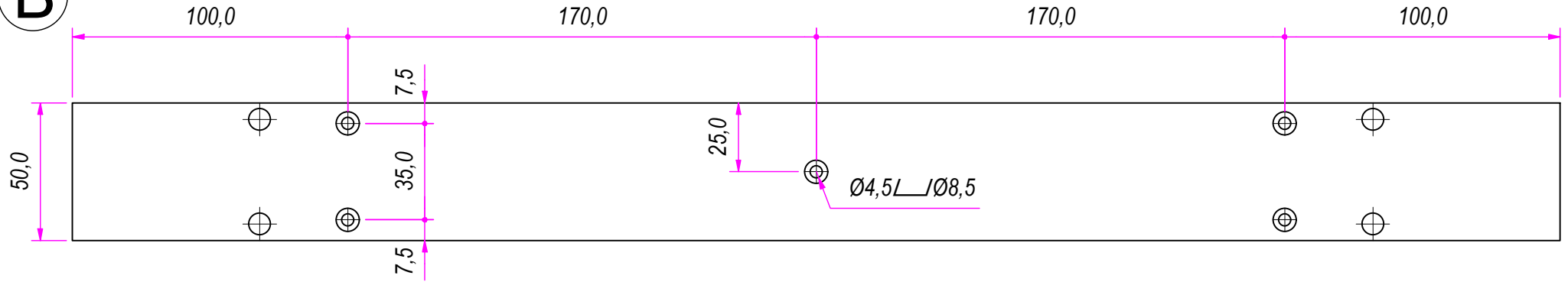
Property of RAM Industrie.
Without its written authorization the present drawing shall neither be used for construction anyway, communicated to third parties, nor reproduced.



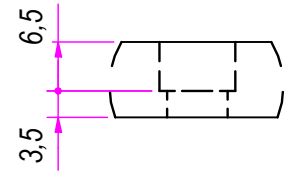
DESIGNED BY F. Dino	CHECKED AND APPROVED BY L. Paleari	GENERAL TOLLERANCE SS-ISO-2768-1M	DATE 23/09/2021	CODE T1104480
PACKAGING			UNIT mm	SHEET 6 of 7
		DESCRIPTION	MATERIAL Aluminum	
		DEVICE	PAIR WEIGHT	

Property of RAM Industrie.
Without its written authorization the present drawing shall neither be used for construction anyway, communicated to third parties, nor reproduced.

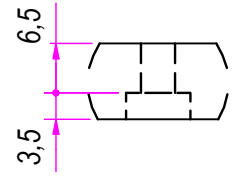
B



A (1:1)



B (1:1)



DESIGNED BY F.Dino	CHECKED AND APPROVED BY L. Paleari	GENERAL TOLERANCE SS-ISO-2768-1M	DATE 23/09/2021	CODE X.PIAS-ALL-540
			PACKAGING	UNIT mm
			DESCRIPTION	SHEET 7 of 7
DEVICE		MATERIAL		PAIR WEIGHT
Property of RAM Industrie. Without its written authorization the present drawing shall neither be used for construction anyway, communicated to third parties, nor reproduced.				