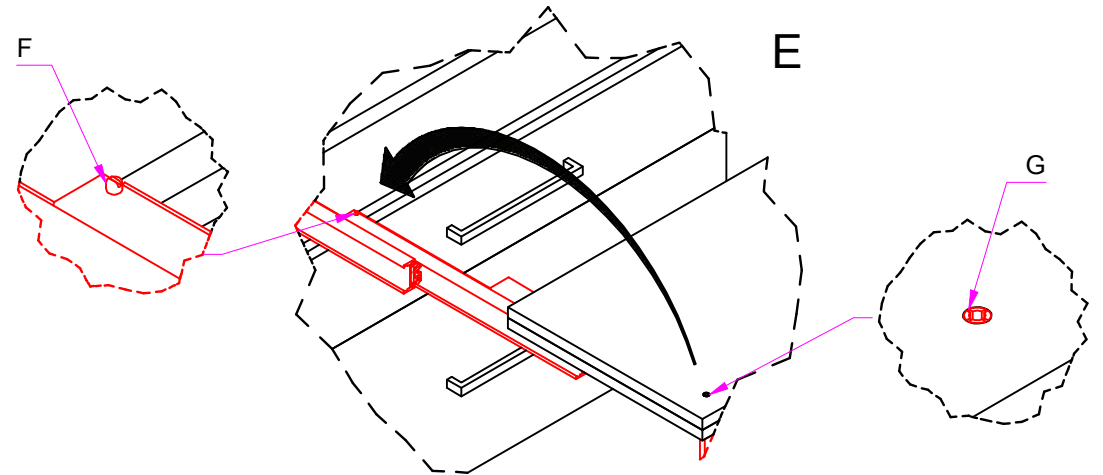
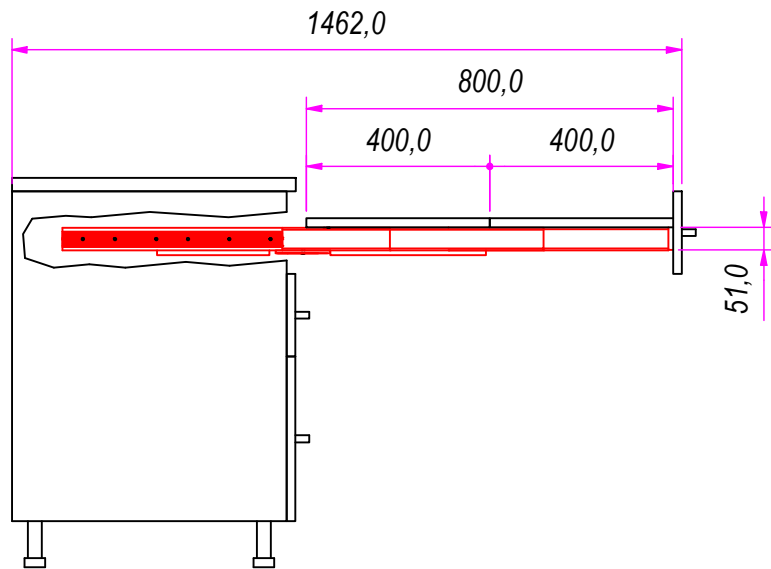
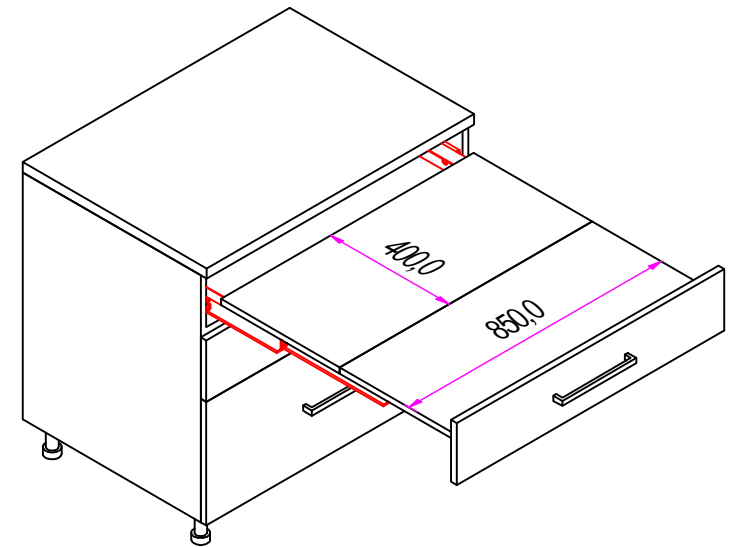
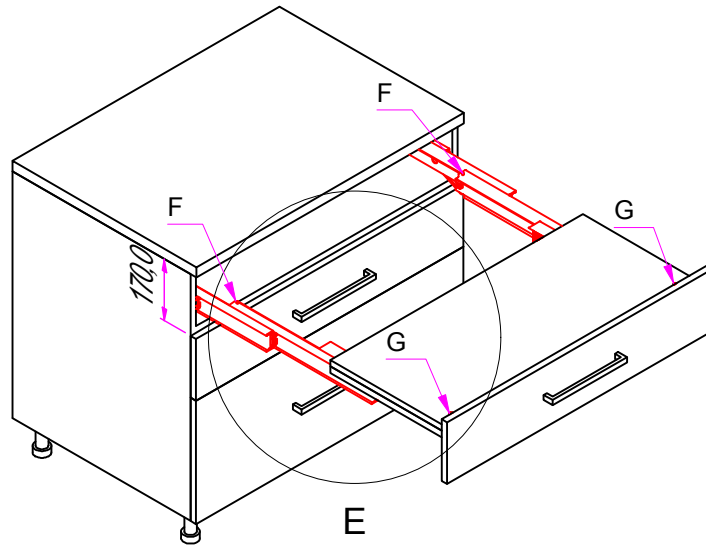
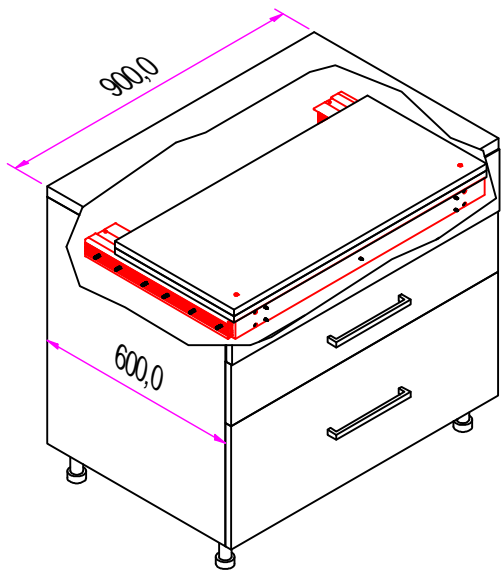
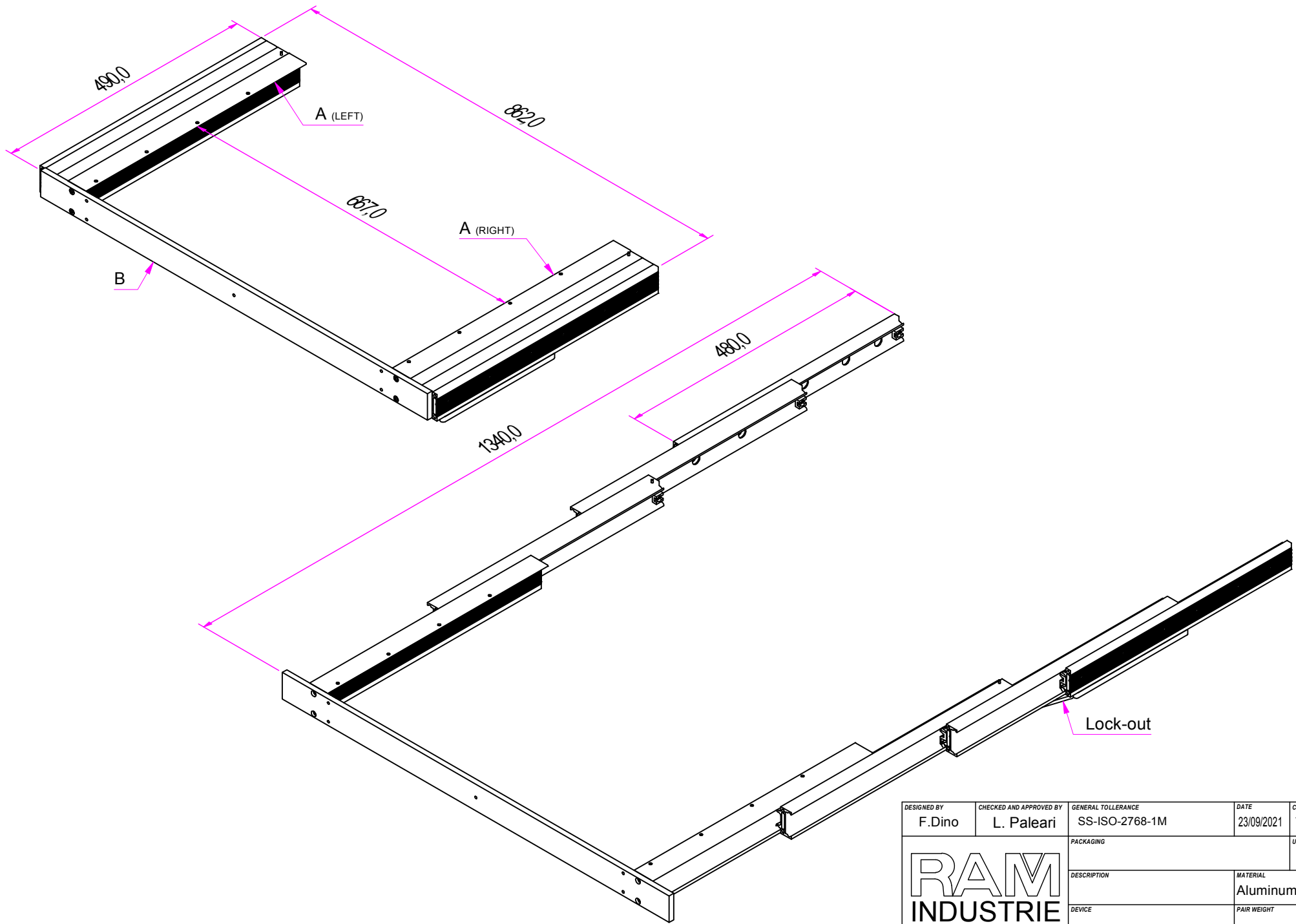



# CABINET 900 mm EXTENSION 800 mm



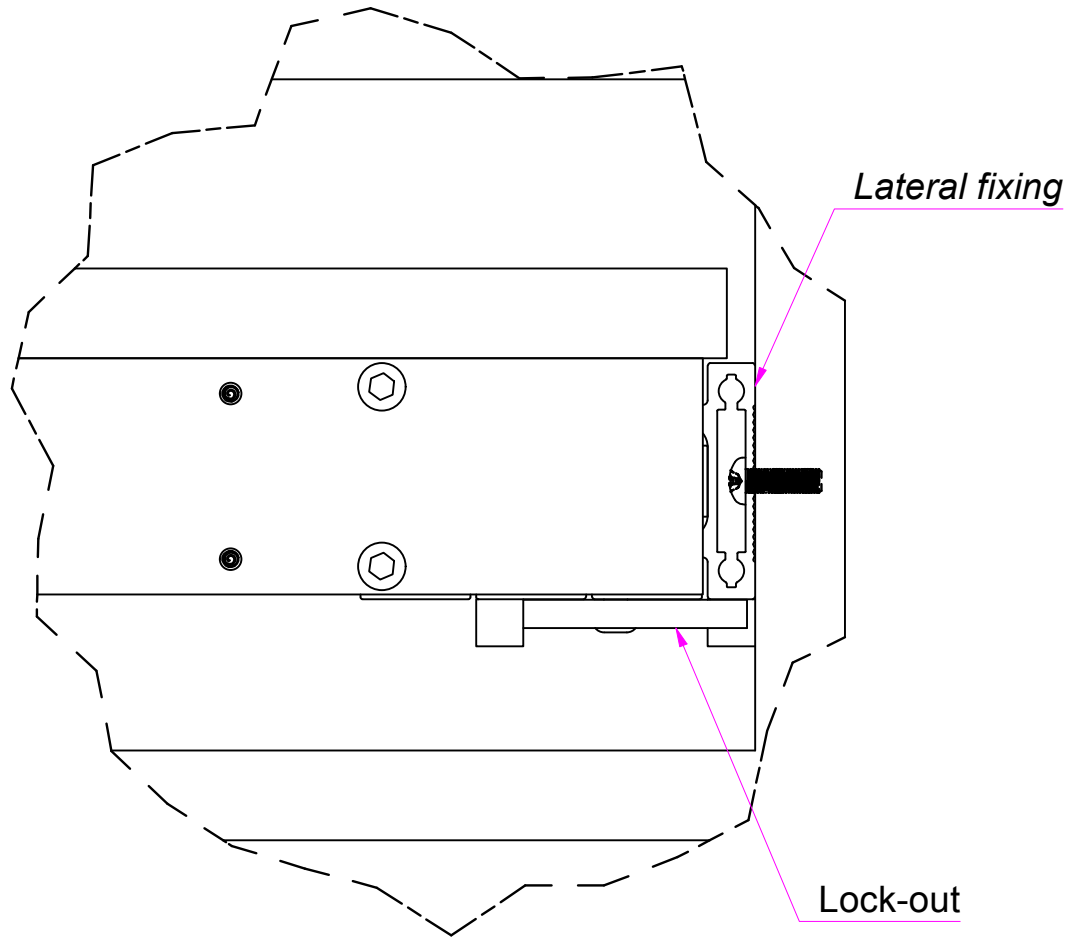
DESIGNED BY F. Dino	CHECKED AND APPROVED BY L. Paleari	GENERAL TOLERANCE SS-ISO-2768-1M	DATE 23/09/2021	CODE T110800B
PACKAGING			UNIT mm	SHEET 1 of 7
		MATERIAL Aluminum		
DESCRIPTION		PAIR WEIGHT		
DEVICE				

Property of RAM Industrie.  
Without its written authorization the present drawing shall neither be used for construction anyway, communicated to third parties, nor reproduced.

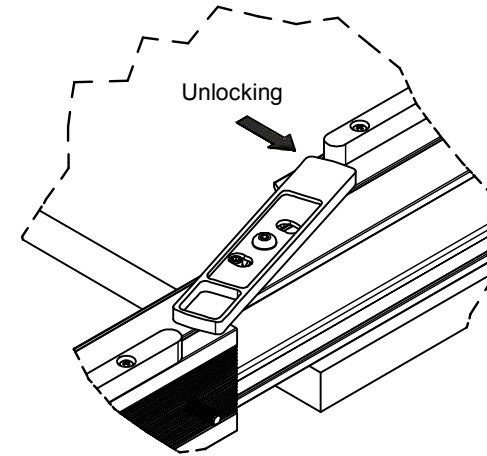


DESIGNED BY F. Dino	CHECKED AND APPROVED BY L. Paleari	GENERAL TOLERANCE SS-ISO-2768-1M	DATE 23/09/2021	CODE T110800B
			PACKAGING	UNIT mm
			DESCRIPTION	SHEET 2 of 7
MATERIAL Aluminum		PAIR WEIGHT		

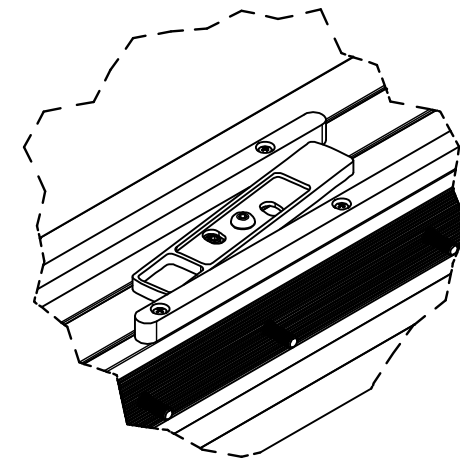
Property of RAM Industrie.  
Without its written authorization the present drawing shall neither be used for construction anyway, communicated to third parties, nor reproduced.




## Lock-out open



## Lock-out closed

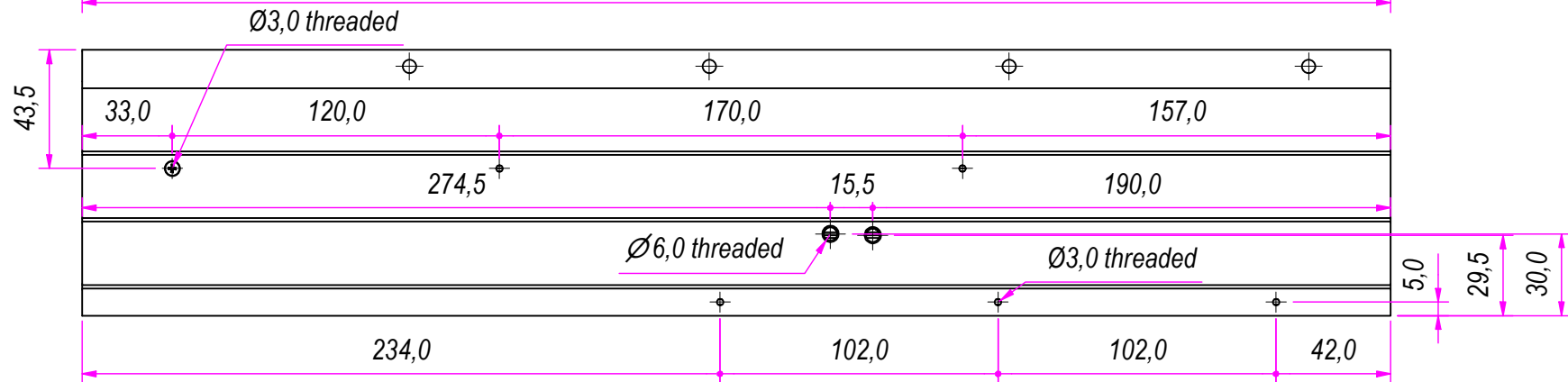
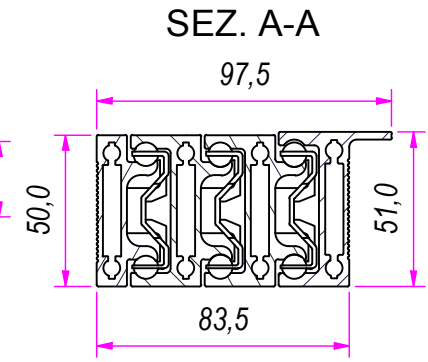
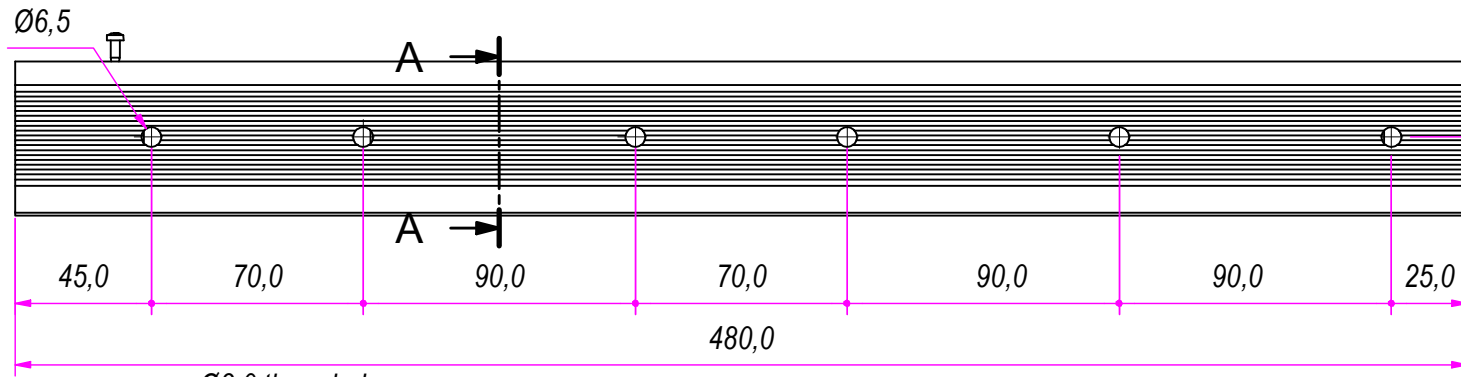
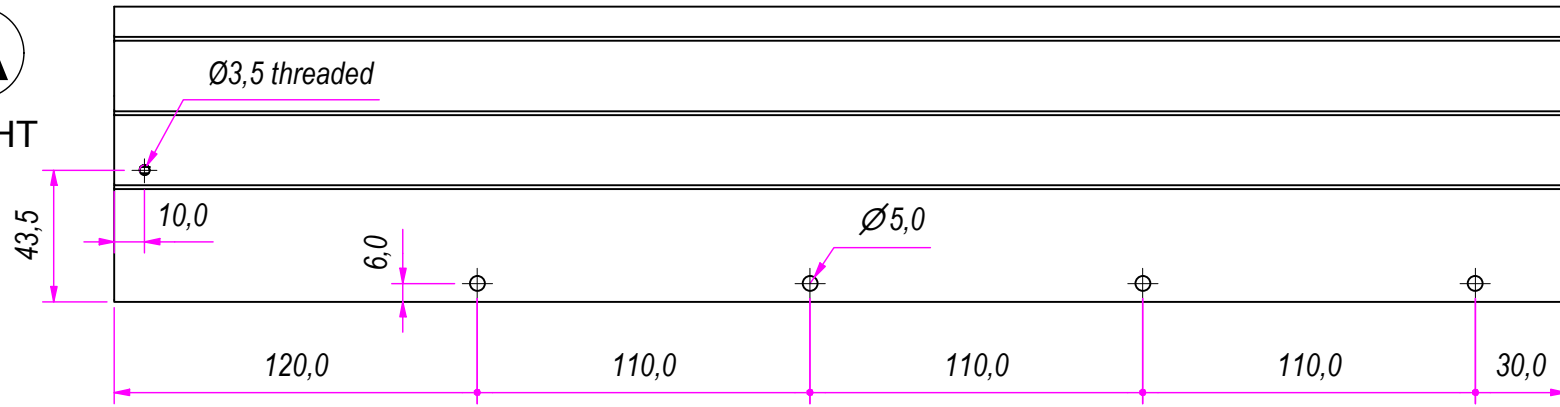


DESIGNED BY F.Dino	CHECKED AND APPROVED BY L. Paleari	GENERAL TOLERANCE SS-ISO-2768-1M	DATE 23/09/2021	CODE T110800B
PACKAGING			UNIT mm	SHEET 3 of 7
		DESCRIPTION	MATERIAL Aluminum	
		DEVICE	PAIR WEIGHT	

Property of RAM Industrie.  
Without its written authorization the present drawing shall neither be used for construction anyway, communicated to third parties, nor reproduced.

**A**

RIGHT

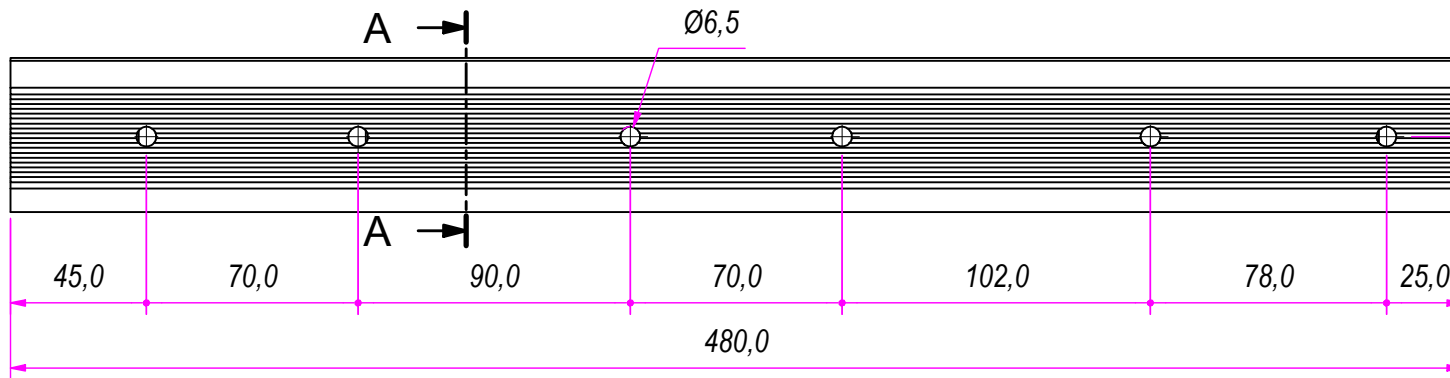
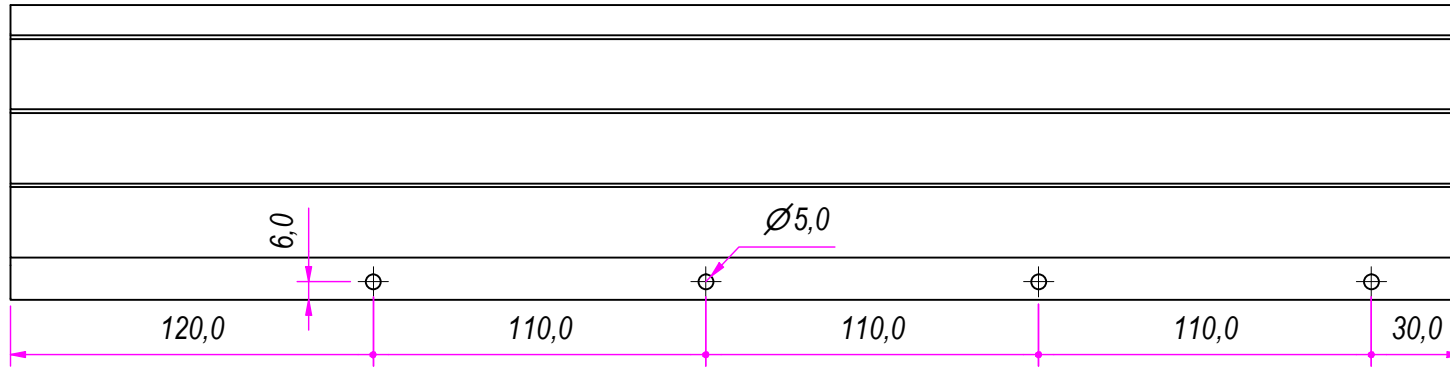


DESIGNED BY F. Dino	CHECKED AND APPROVED BY L. Paleari	GENERAL TOLERANCE SS-ISO-2768-1M	DATE 23/09/2021	CODE T1104480
		PACKAGING	UNIT mm	SHEET 4 of 7
		DESCRIPTION	MATERIAL Aluminum	
		DEVICE	PAIR WEIGHT	

Property of RAM Industrie.  
Without its written authorization the present drawing shall neither be used for construction anyway, communicated to third parties, nor reproduced.

A

LEFT

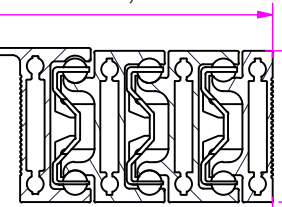


25,0

51,0

SEZ. A-A

97,5

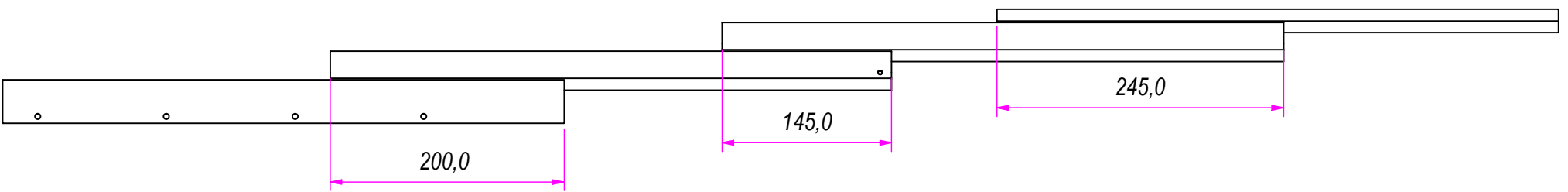
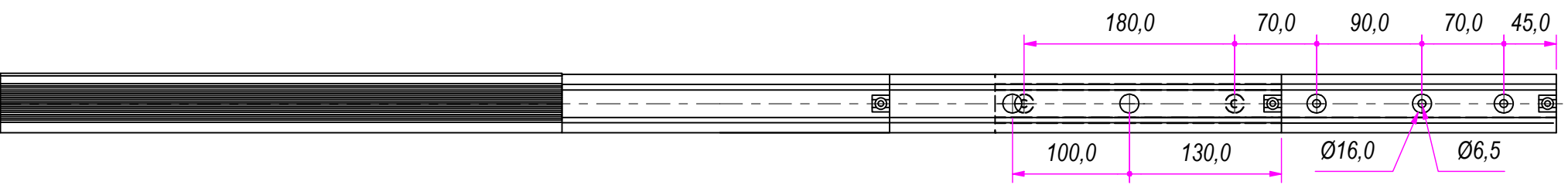
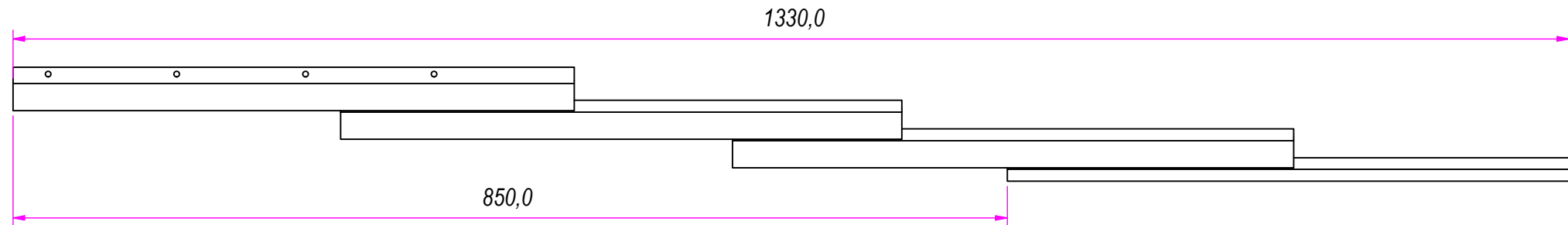


83,5



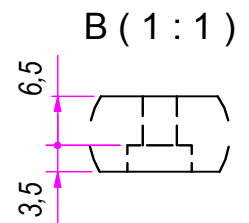
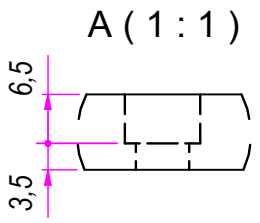
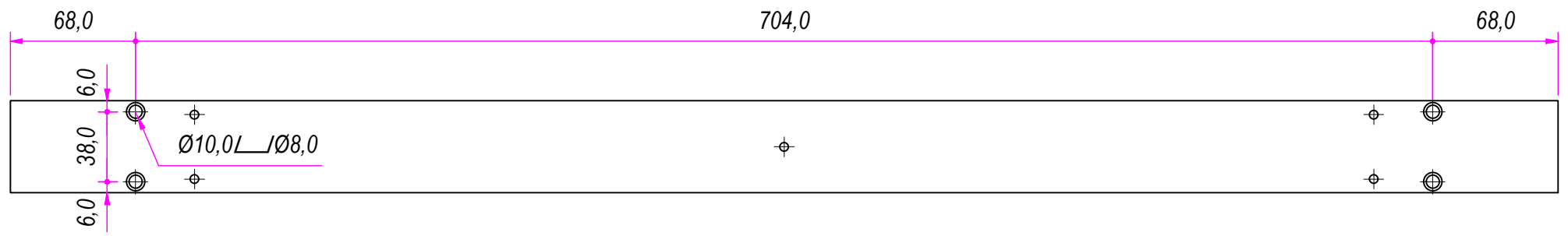
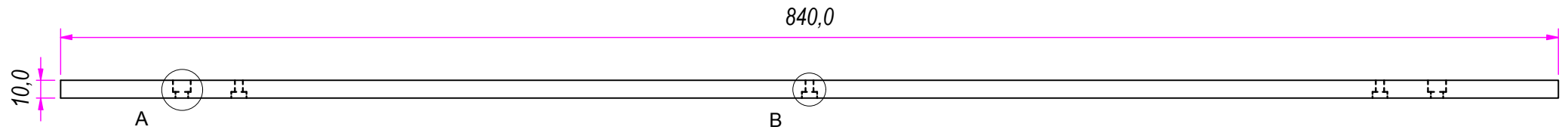
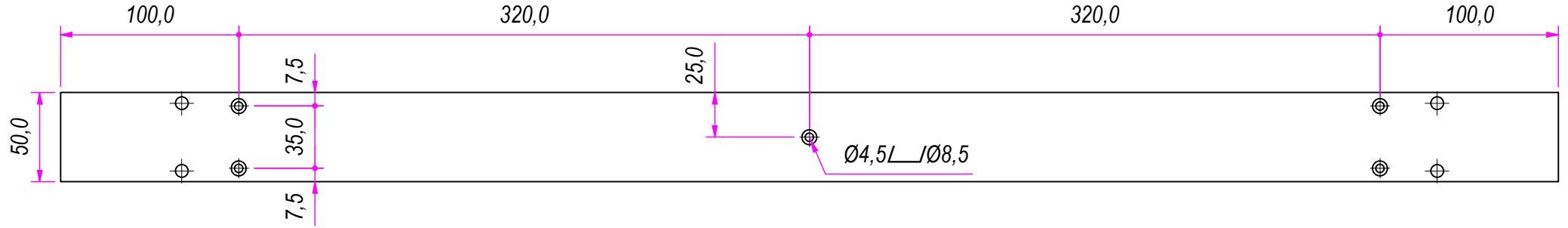
DESIGNED BY F.Dino	CHECKED AND APPROVED BY L. Paleari	GENERAL TOLLERANCE SS-ISO-2768-1M	DATE 23/09/2021	CODE T1104480
			PACKAGING	UNIT mm
			DESCRIPTION	SHEET 5 of 7
MATERIAL Aluminum		DEVICE	PAIR WEIGHT	

Property of RAM Industrie.  
Without its written authorization the present drawing shall neither be used for construction anyway, communicated to third parties, nor reproduced.



DESIGNED BY F. Dino	CHECKED AND APPROVED BY L. Paleari	GENERAL TOLERANCE SS-ISO-2768-1M	DATE 23/09/2021	CODE T1104480
			PACKAGING	UNIT mm
			DESCRIPTION	SHEET 6 of 7
MATERIAL Aluminum		DEVICE	PAIR WEIGHT	
Property of RAM Industrie. Without its written authorization the present drawing shall neither be used for construction anyway, communicated to third parties, nor reproduced.				

**B**



DESIGNED BY F.Dino	CHECKED AND APPROVED BY L. Paleari	GENERAL TOLERANCE SS-ISO-2768-1M	DATE 23/09/2021	CODE X.PIAS-ALL-840B
PACKAGING			UNIT mm	SHEET 7 of 7
DESCRIPTION <b>RAM INDUSTRIE</b>		MATERIAL Aluminum		
DEVICE		PAIR WEIGHT		

Property of RAM Industrie.  
Without its written authorization the present drawing shall neither be used for construction anyway, communicated to third parties, nor reproduced.