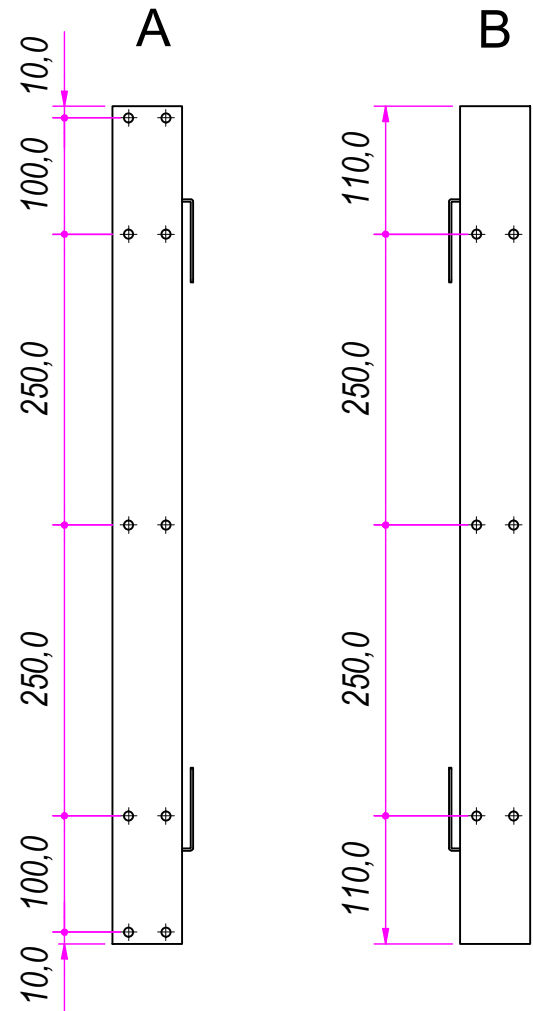
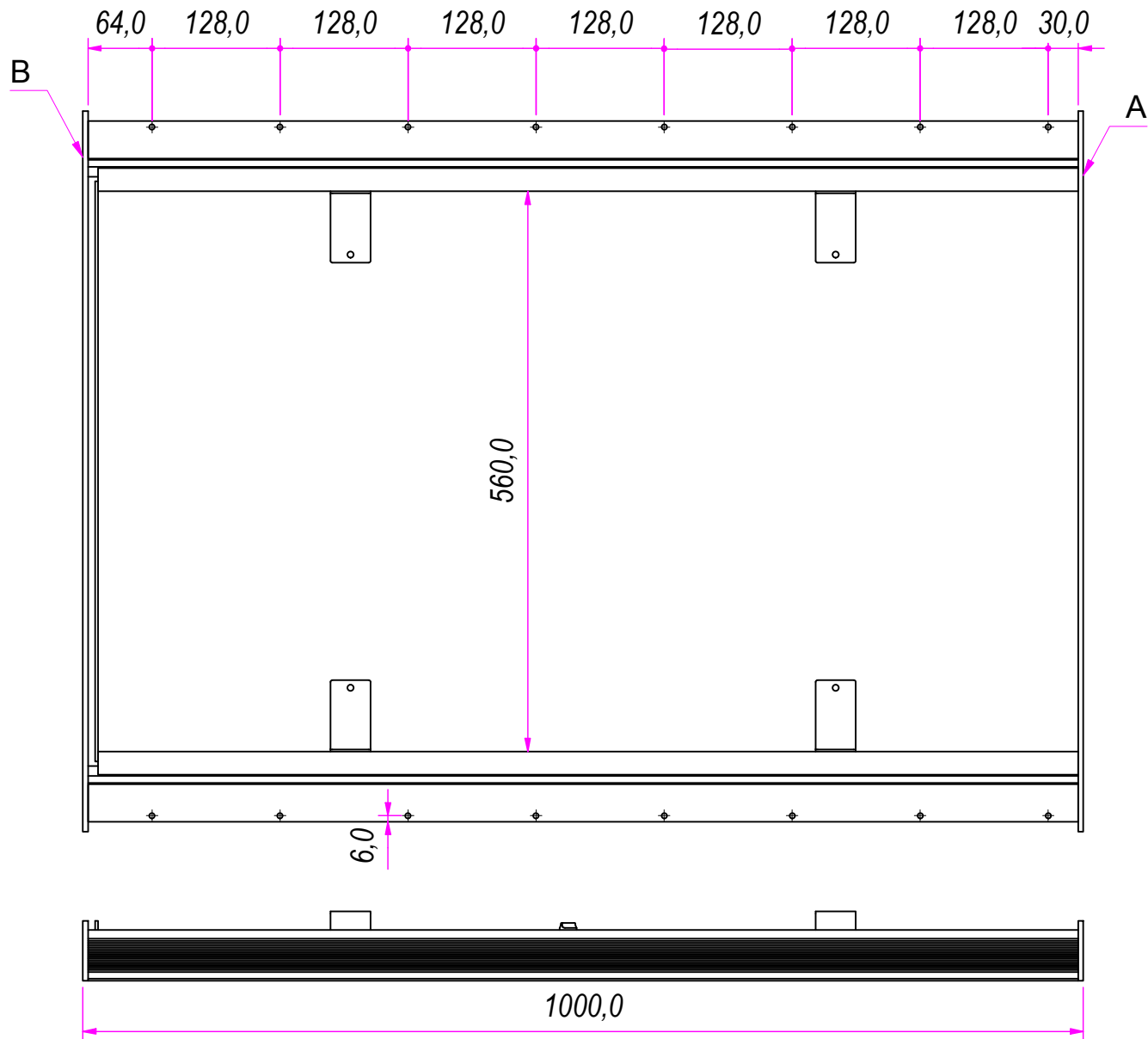


REVISION HISTORY		
REV	DESCRIPTION	DATE
1a		29/03/2018

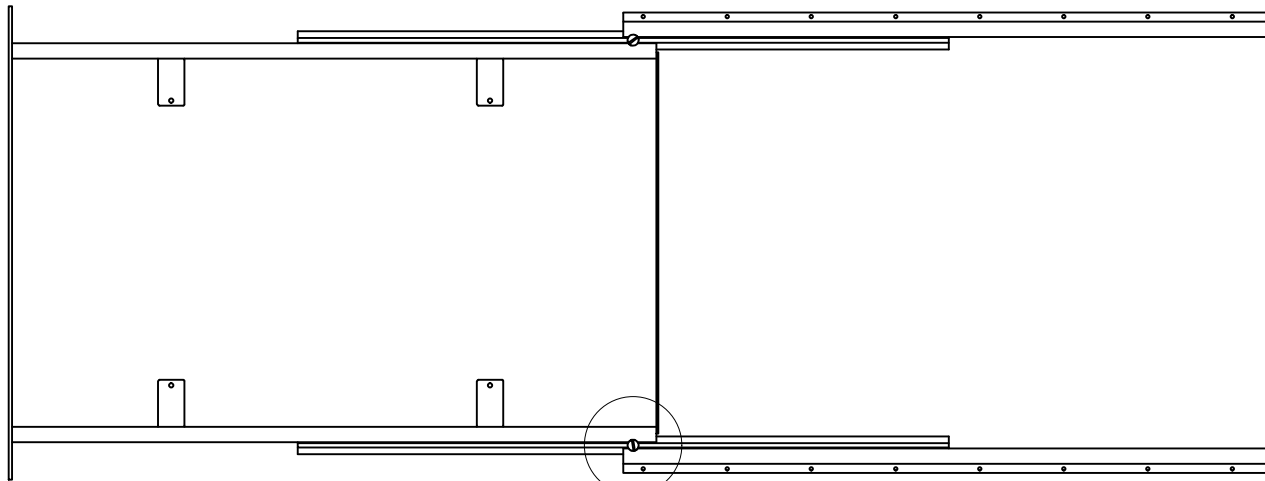
DESIGNED BY F.Dino	CHECKED AND APPROVED BY L. Paleari	GENERAL TOLLERANCE SS-ISO-2768-1M	DATE 29/03/2018	CODE T591000A
PACKAGING Carton 1 piece			UNIT mm	SHEET 1 of 4
DESCRIPTION <b>RAM</b> INDUSTRIE			MATERIAL Anodise aluminum alloy 6060	
DEVICE			PAIR WEIGHT 11,0 Kg	

Property of RAM Industrie.  
Without its written authorization the present drawing shall neither be used for construction anyway, communicated to third parties, nor reproduced.



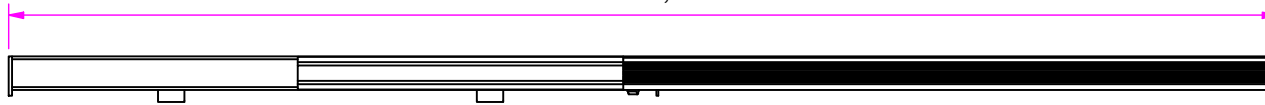
DESIGNED BY F.Dino	CHECKED AND APPROVED BY L. Paleari	GENERAL TOLERANCE SS-ISO-2768-1M	DATE 29/03/2018	CODE T591000A
	PACKAGING Carton 1 piece	UNIT mm	SHEET 2 of 4	
	DESCRIPTION	MATERIAL Anodise aluminum alloy 6060		
	DEVICE	PAIR WEIGHT 11,0 Kg		

Property of RAM Industrie.  
Without its written authorization the present drawing shall neither be used for construction anyway, communicated to third parties, nor reproduced.

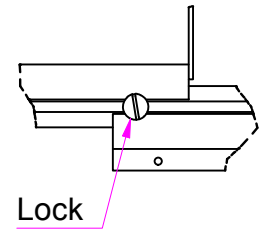


D

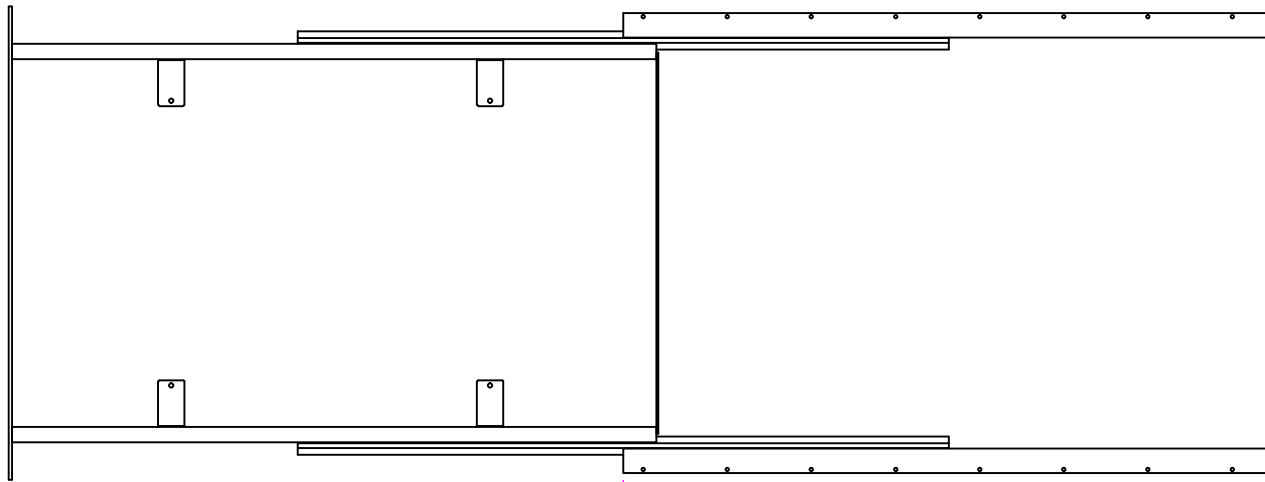
1930,0



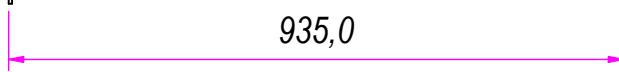
D (1 : 5)



Lock



935,0

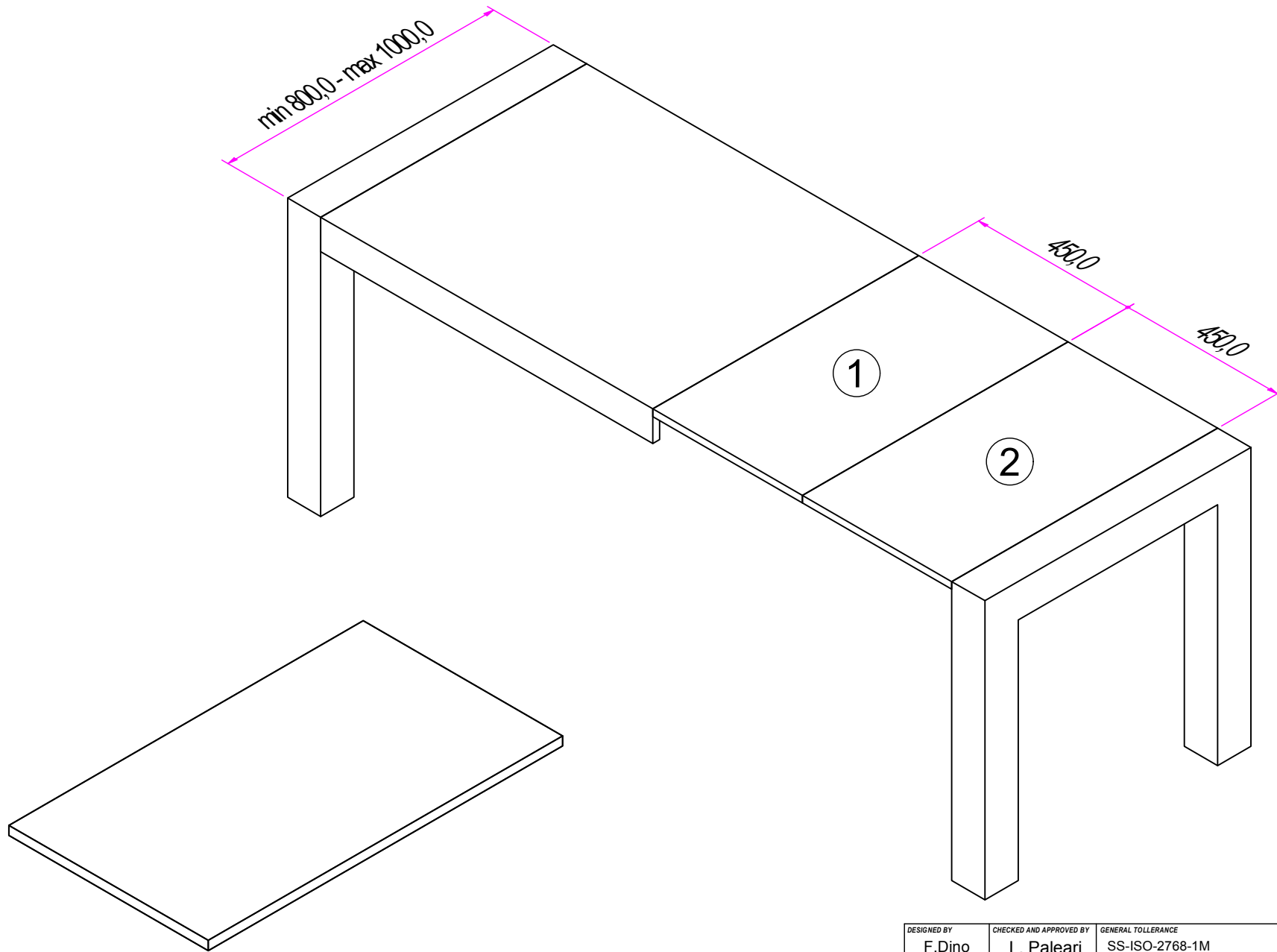



DESIGNED BY F.Dino	CHECKED AND APPROVED BY L. Paleari	GENERAL TOLERANCE SS-ISO-2768-1M	DATE 29/03/2018	CODE T591000A
PACKAGING Carton 1 piece			UNIT mm	SHEET 3 of 4
DESCRIPTION			MATERIAL Anodise aluminum alloy 6060	
DEVICE			PAIR WEIGHT 11,0 Kg	

**RAM**  
**INDUSTRIE**

REVISION HISTORY		
REV	DESCRIPTION	DATE
1a		29/03/2018

Property of RAM Industrie.  
Without its written authorization the present drawing shall neither be used for construction anyway, communicated to third parties, nor reproduced.



DESIGNED BY F.Dino	CHECKED AND APPROVED BY L. Paleari	GENERAL TOLERANCE SS-ISO-2768-1M	DATE 29/03/2018	CODE T591000A
		PACKAGING Carton 1 piece	UNIT mm	SHEET 4 of 4
		DESCRIPTION	MATERIAL Anodise aluminum alloy 6060	
DEVICE			PAIR WEIGHT 11,0 Kg	

Property of RAM Industrie.  
Without its written authorization the present drawing shall neither be used for construction anyway, communicated to third parties, nor reproduced.