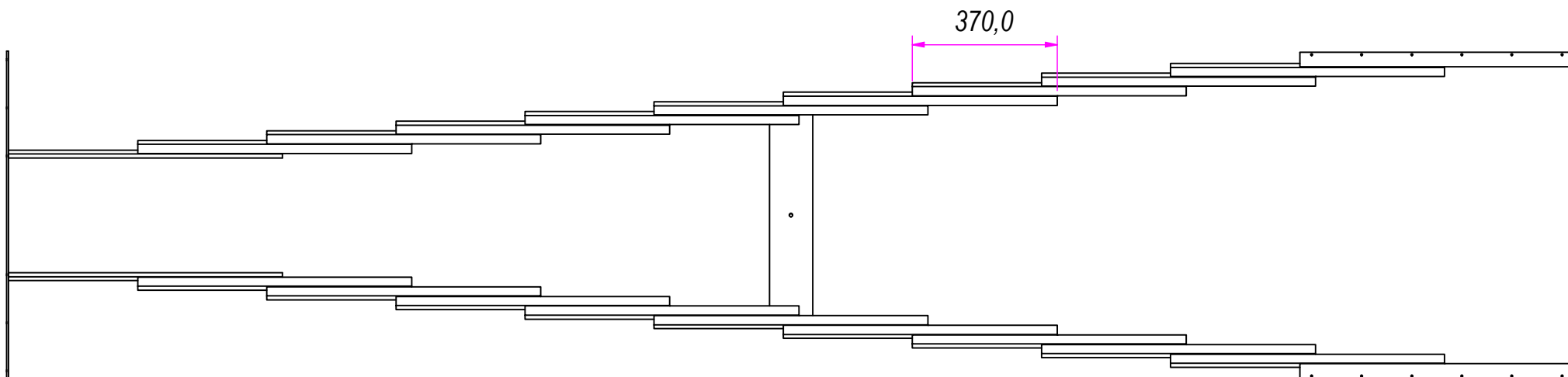
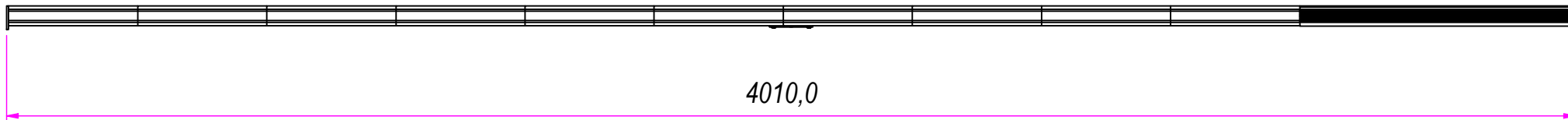



DESIGNED BY F.Dino	CHECKED AND APPROVED BY L. Paleari	GENERAL TOLERANCE SS-ISO-2768-1M	DATE 06/10/2020	CODE T9011710
PACKAGING Carton 1 piece			UNIT mm	SHEET 1 of 6
		MATERIAL Anodise aluminum alloy 6060		
		DEVICE		PAIR WEIGHT WITH CARTON

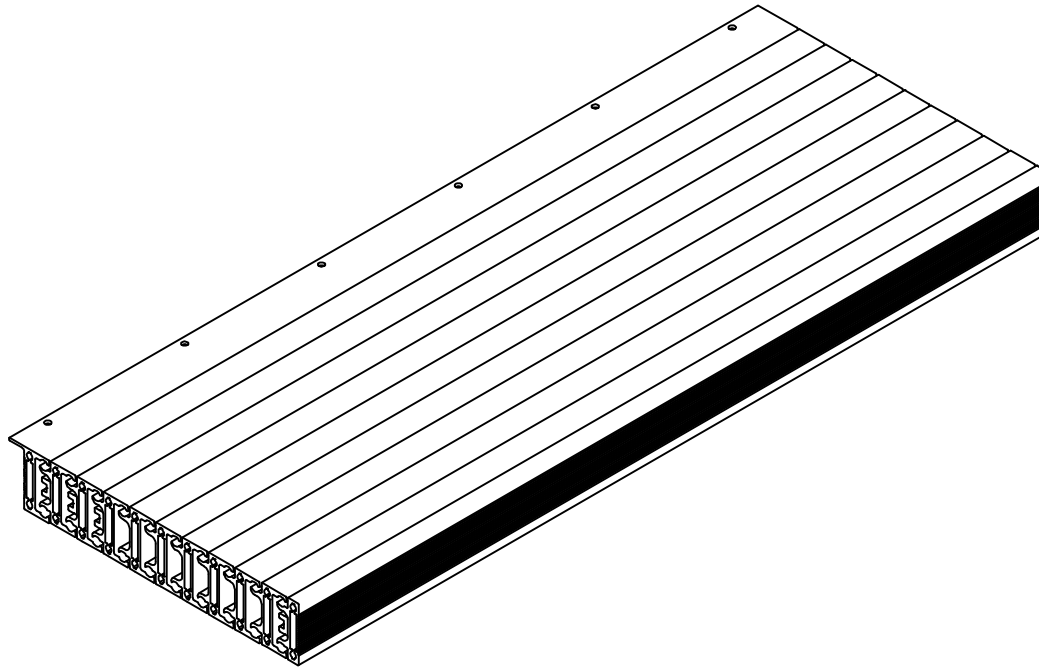
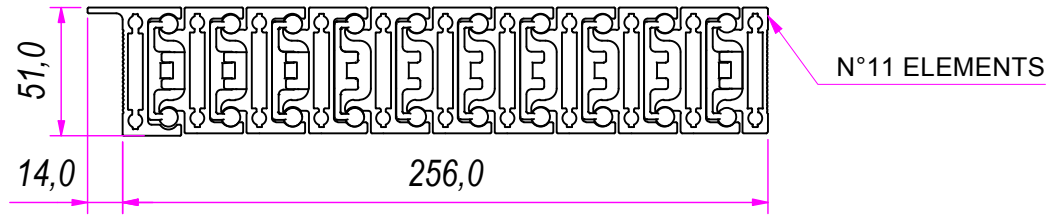
Property of RAM Industrie.
Without its written authorization the present drawing shall neither be used for construction anyway, communicated to third parties, nor reproduced.



DESIGNED BY F.Dino	CHECKED AND APPROVED BY L. Paleari	GENERAL TOLLERANCE SS-ISO-2768-1M	DATE 06/10/2020	CODE T9011710
		PACKAGING	UNIT mm	SHEET 2 of 6
		DESCRIPTION	MATERIAL	
		DEVICE	PAIR WEIGHT WITH CARTON	

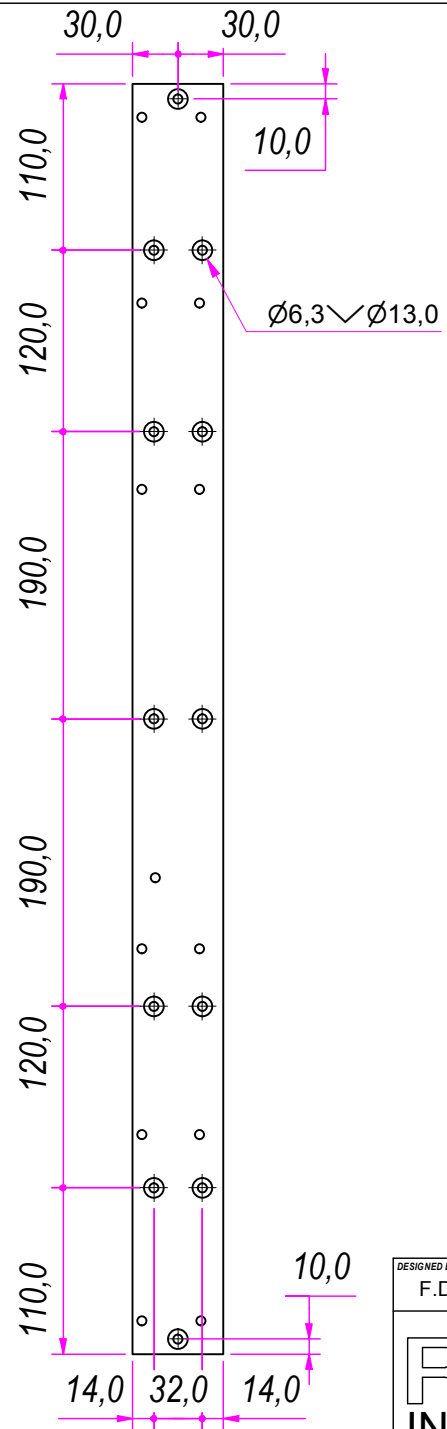
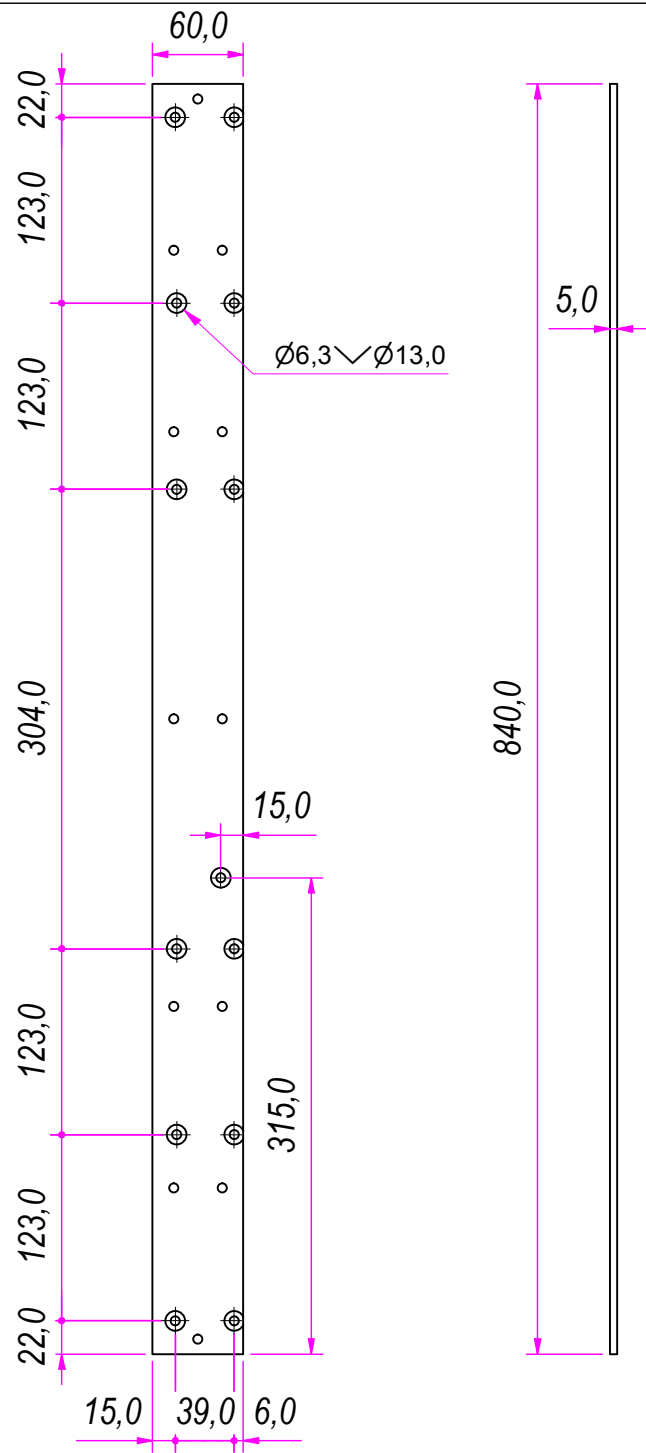
Property of RAM Industrie.
Without its written authorization the present drawing shall neither be used for construction anyway, communicated to third parties, nor reproduced.

1



DESIGNED BY F.Dino	CHECKED AND APPROVED BY L. Paleari	GENERAL TOLERANCE SS-ISO-2768-1M	DATE 06/10/2020	CODE Guida
PACKAGING			UNIT mm	SHEET 3 of 6
DESCRIPTION RAM INDUSTRIE		MATERIAL Anodise aluminum alloy 6060		
DEVICE		PAIR WEIGHT WITH CARTON		

Property of RAM Industrie.
Without its written authorization the present drawing shall neither be used for construction anyway, communicated to third parties, nor reproduced.

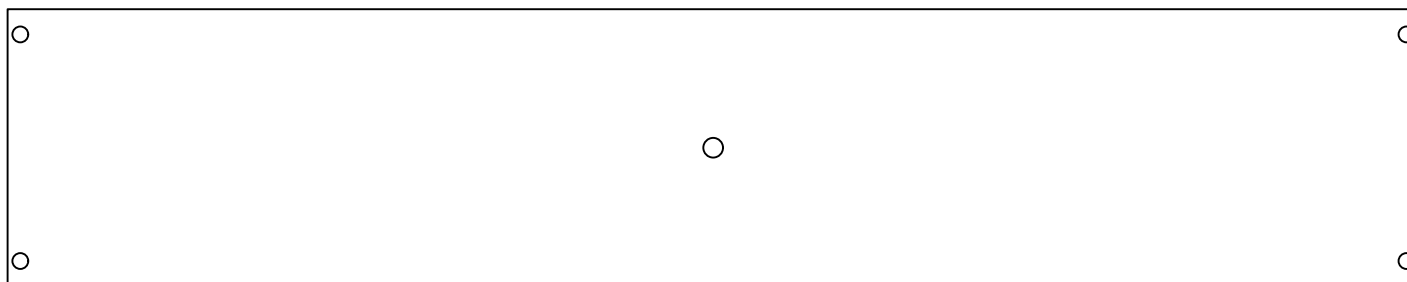
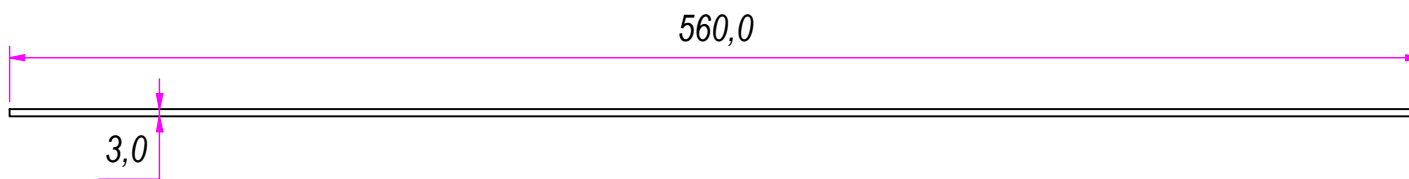
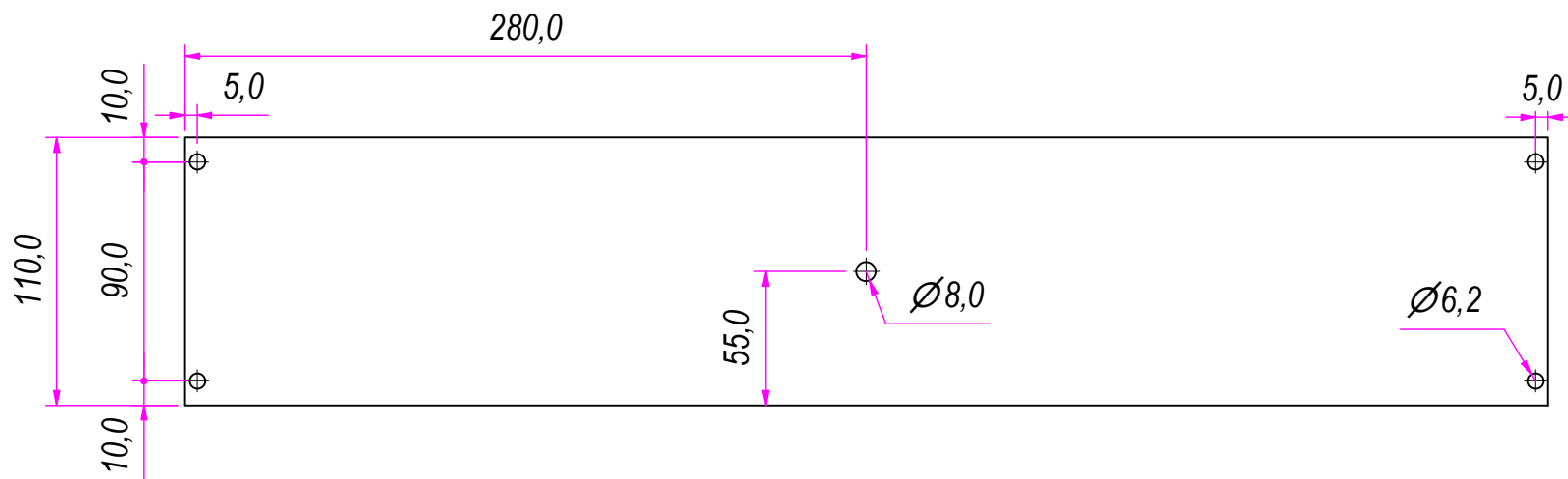


2

DESIGNED BY F.Dino	CHECKED AND APPROVED BY L. Paleari	GENERAL TOLERANCE SS-ISO-2768-1M	DATE 06/10/2020	CODE Piastra
PACKAGING			UNIT mm	SHEET 4 of 6
DESCRIPTION Black finishing		MATERIAL Iron		
DEVICE		PAIR WEIGHT WITH CARTON		

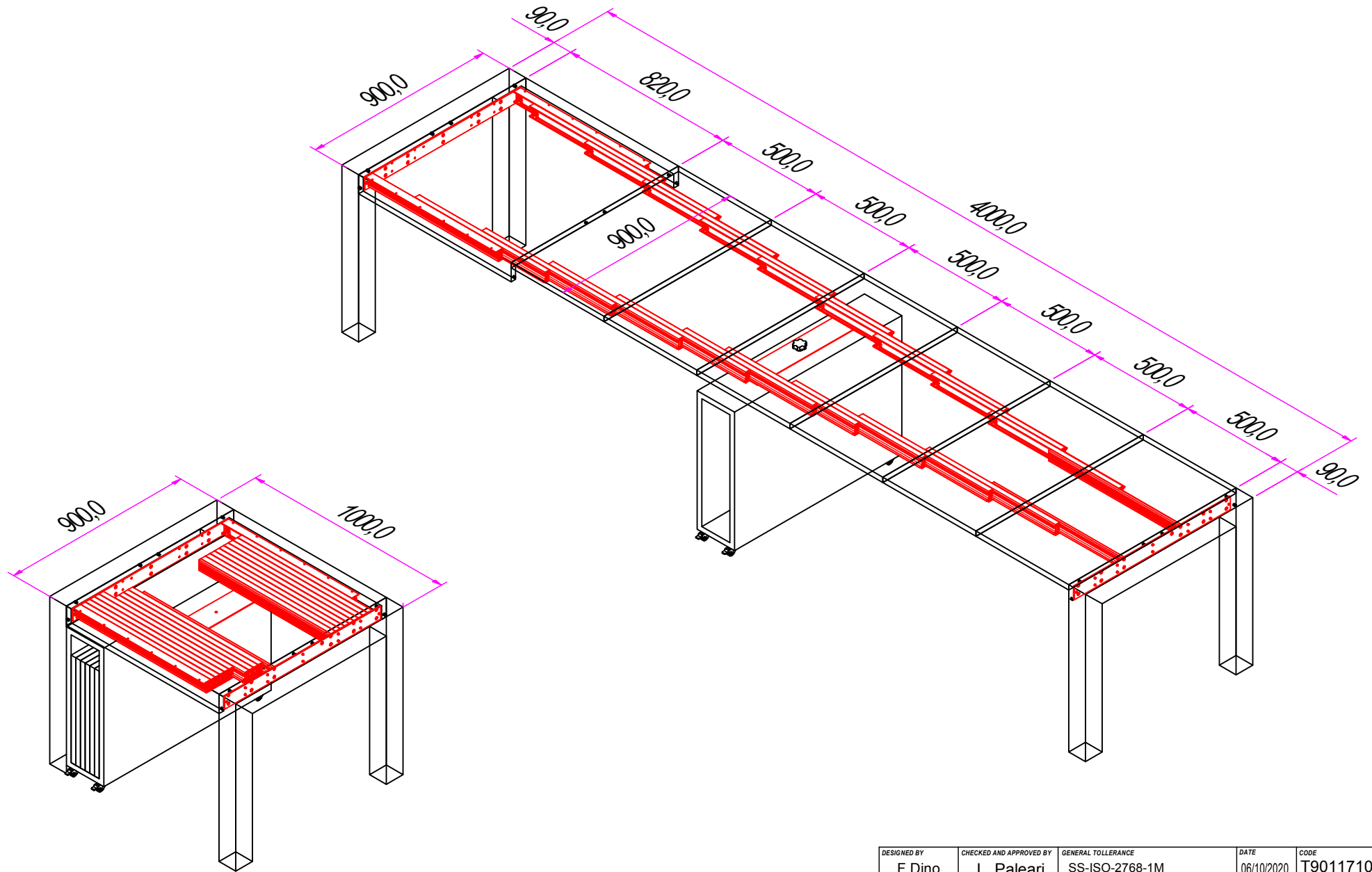
RAM
INDUSTRIE


3



DESIGNED BY F.Dino	CHECKED AND APPROVED BY L. Paleari	GENERAL TOLERANCE SS-ISO-2768-1M	DATE 06/10/2020	CODE Poggia gamba
RAM INDUSTRIE		PACKAGING	UNIT mm	SHEET 5 of 6
		DESCRIPTION Black finishing	MATERIAL Iron	
DEVICE			PAIR WEIGHT WITH CARTON	

Property of RAM Industrie.
Without its written authorization the present drawing shall neither be used for construction anyway, communicated to third parties, nor reproduced.



DESIGNED BY F.Dino	CHECKED AND APPROVED BY L. Paleari	GENERAL TOLERANCE SS-ISO-2768-1M	DATE 06/10/2020	CODE T9011710
			PACKAGING	UNIT mm
			DESCRIPTION	SHEET 6 of 6
DEVICE		PAIR WEIGHT WITH CARTON		

Property of RAM Industrie.
Without its written authorization the present drawing shall neither be used for construction anyway, communicated to third parties, nor reproduced.