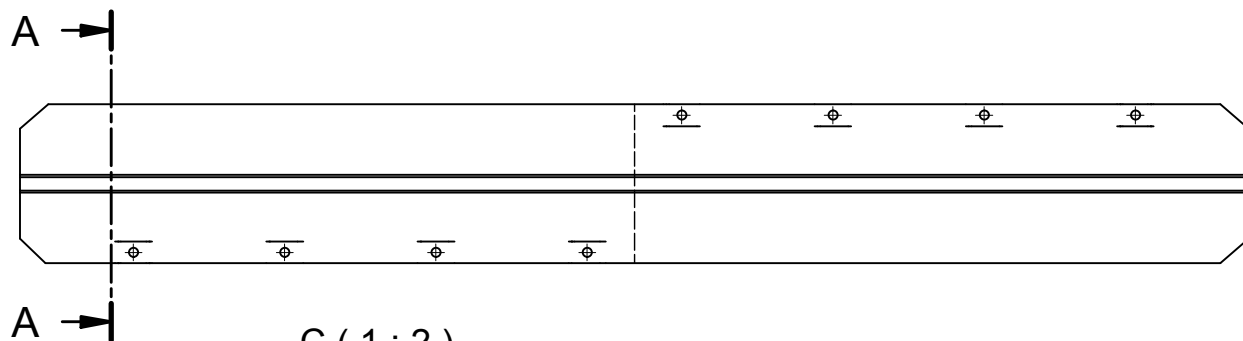
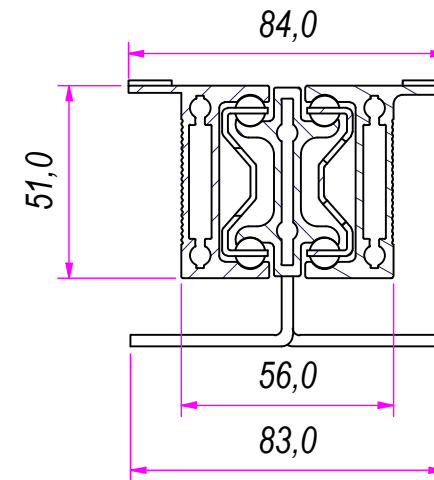
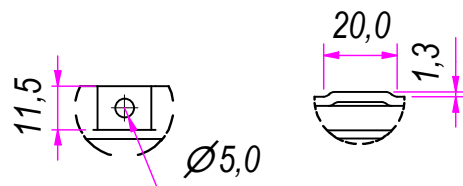


SEZ. A-A



C (1:2)

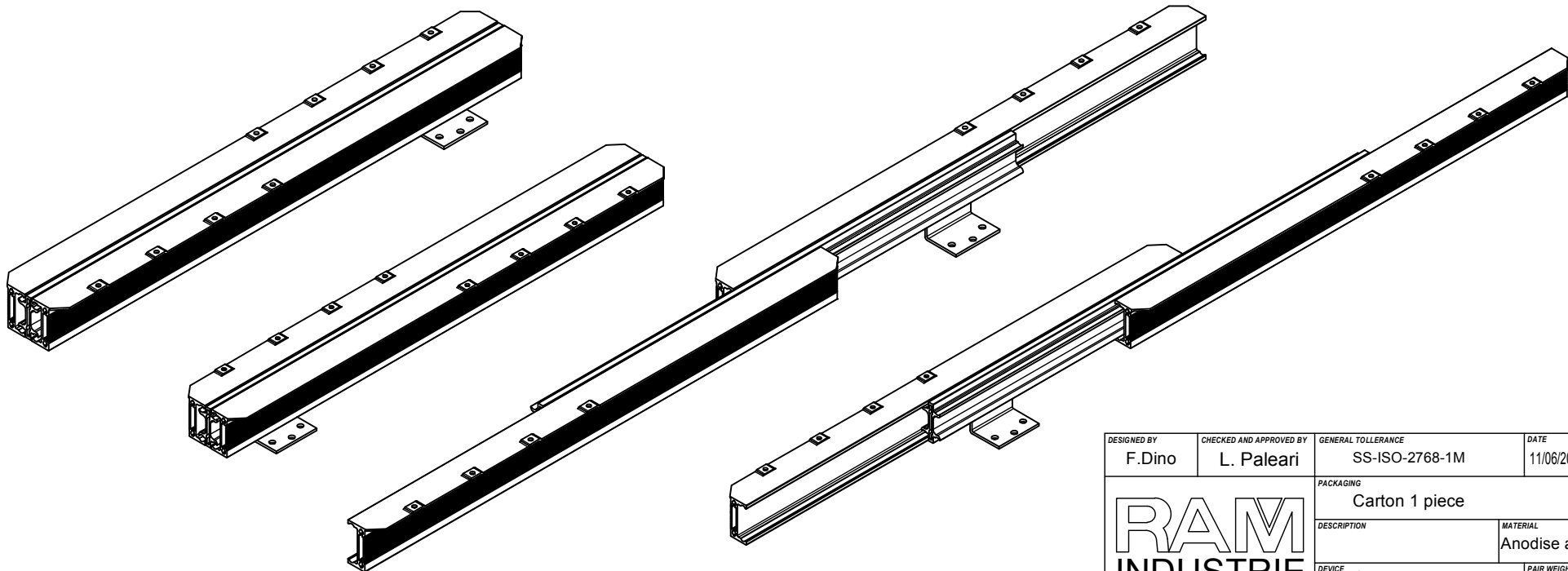
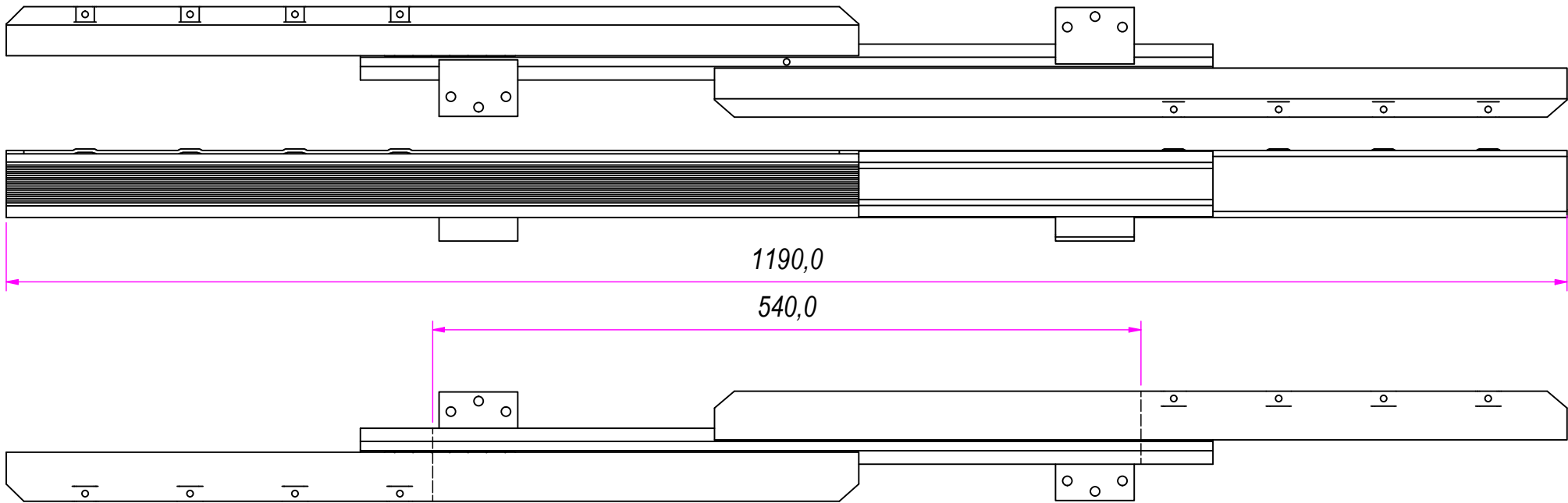


REVISION HISTORY		
REV	DESCRIPTION	DATE
1a		11/06/2018

DESIGNED BY F.Dino	CHECKED AND APPROVED BY L. Paleari	GENERAL TOLLERANCE SS-ISO-2768-1M	DATE 11/06/2018	CODE T97650
PACKAGING Carton 1 piece			UNIT mm	SHEET 1 of 3
DESCRIPTION Central movement		MATERIAL Anodise aluminum alloy 6060		
PAIR WEIGHT 4,8 Kg			021	

RAM
INDUSTRIE

Property of RAM Industrie.
Without its written authorization the present drawing shall neither be used for construction anyway, communicated to third parties, nor reproduced.



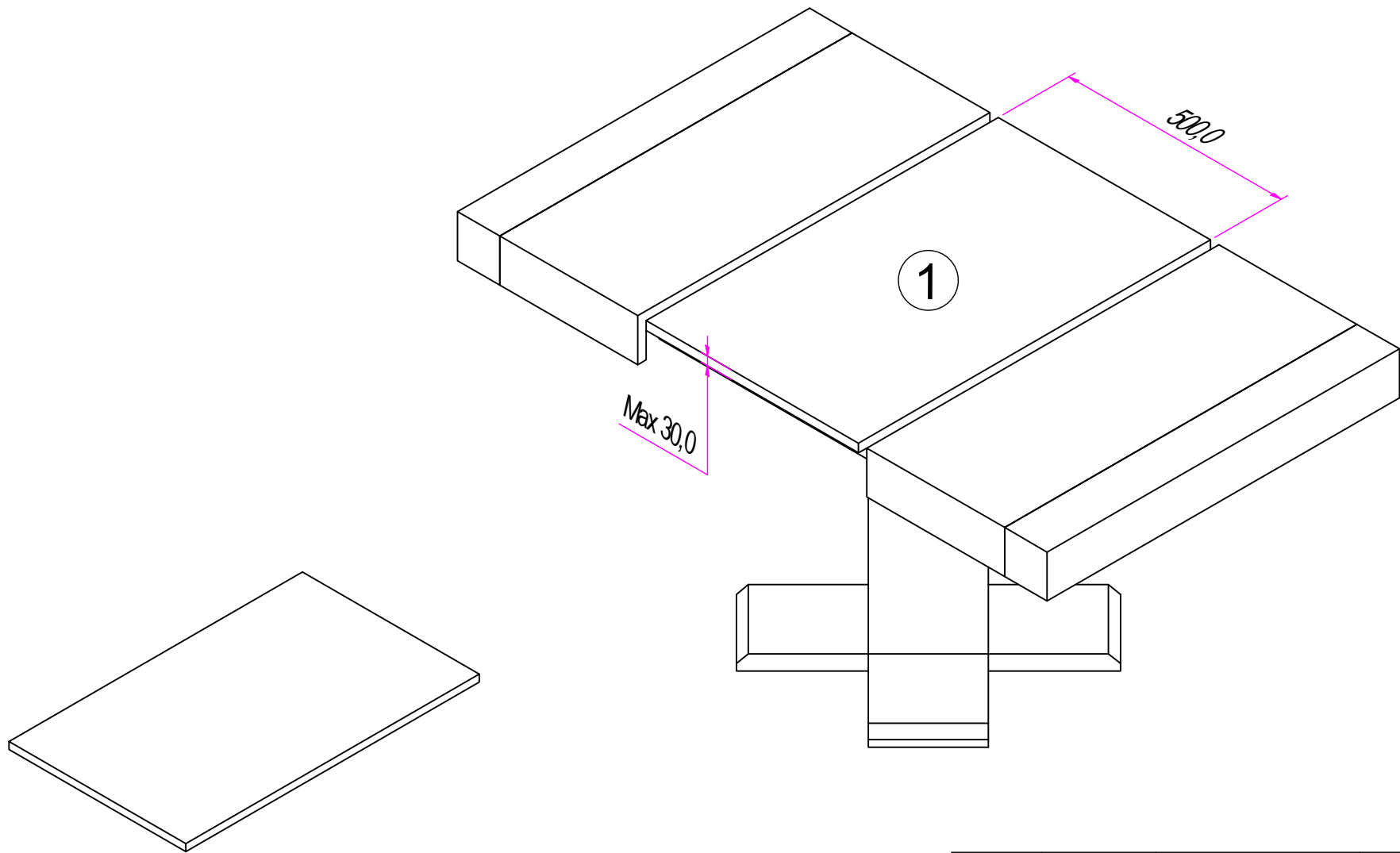
REVISION HISTORY		
REV	DESCRIPTION	DATE
1a		11/06/2018


DESIGNED BY F.Dino	CHECKED AND APPROVED BY L. Paleari	GENERAL TOLERANCE SS-ISO-2768-1M	DATE 11/06/2018	CODE T97650
PACKAGING Carton 1 piece			UNIT mm	SHEET 2 of 3
DESCRIPTION Central movement			MATERIAL Anodise aluminum alloy 6060	
			PAIR WEIGHT 4,8 Kg	021

RAM
INDUSTRIE

Property of RAM Industrie.

Without its written authorization the present drawing shall neither be used for construction anyway, communicated to third parties, nor reproduced.



DESIGNED BY F. Dino	CHECKED AND APPROVED BY L. Paleari	GENERAL TOLLERANCE SS-ISO-2768-1M	DATE 11/06/2018	CODE T97650
		PACKAGING Carton 1 piece	UNIT mm	SHEET 3 of 3
		DESCRIPTION Central movement	MATERIAL Anodise aluminum alloy 6060	
		PAIR WEIGHT 4,8 Kg	021	

Property of RAM Industrie.
Without its written authorization the present drawing shall neither be used for construction anyway, communicated to third parties, nor reproduced.